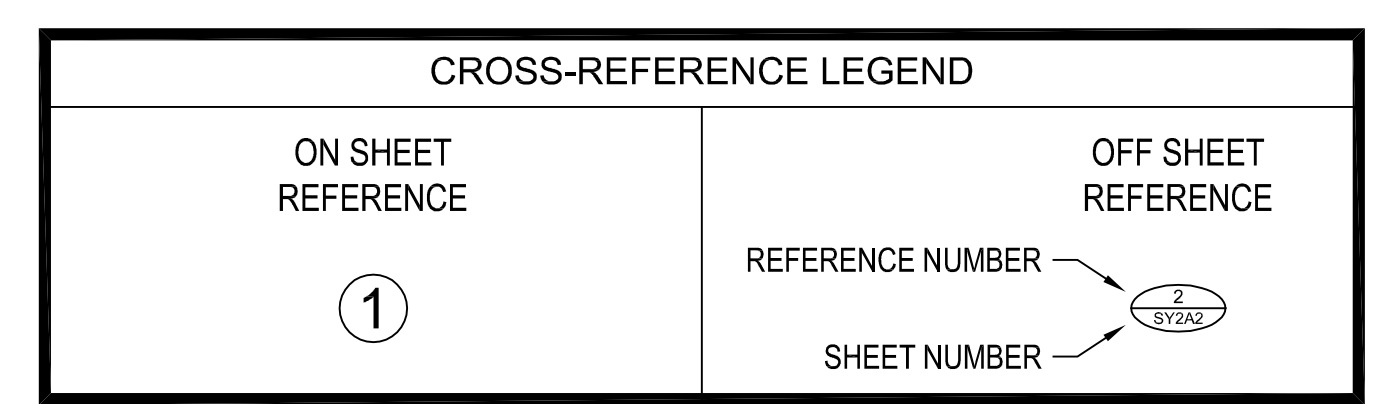


# EASTERN VIRGINIA MEDICAL SCHOOL NEW EDUCATION & ACADEMIC ADMINISTRATION BUILDING

DRAWING INDEX			
AUDIOVISUAL SYSTEMS DRAWINGS		AUDIOVISUAL REFERENCE DRAWINGS	
NUMBER	DESCRIPTION	NUMBER	DESCRIPTION
SY01	COVER SHEET		
SY01	CLASSROOM 100 AUDIOVISUAL SYSTEM - VIDEO		
SY01.1	CLASSROOM 100 AUDIOVISUAL SYSTEM - AUDIO AND CONTROL		
SY02	CLASSROOM 200 AUDIOVISUAL SYSTEM - VIDEO		
SY02.1	CLASSROOM 200 AUDIOVISUAL SYSTEM - AUDIO AND CONTROL		
SY03	CLASSROOM 300 AUDIOVISUAL SYSTEM - VIDEO		
SY03.1	CLASSROOM 300 AUDIOVISUAL SYSTEM - AUDIO AND CONTROL		
SY04	CLASSROOM 131 AUDIOVISUAL SYSTEM - VIDEO		
SY04.1	CLASSROOM 131 AUDIOVISUAL SYSTEM - AUDIO AND CONTROL		
SY05	CLASSROOM 133 AUDIOVISUAL SYSTEM - VIDEO		
SY05.1	CLASSROOM 133 AUDIOVISUAL SYSTEM - AUDIO AND CONTROL		
SY06	AV SUPPORT 140 / RACK 138 AUDIOVISUAL SYSTEM - VIDEO		
SY06.1	AV SUPPORT 140 / RACK 138 AUDIOVISUAL SYSTEM - AUDIO AND CONTROL		
SY07	TESTING 122 AUDIOVISUAL SYSTEM		
SY08	WELLNESS 212 / FLEX 210 AUDIOVISUAL SYSTEM		
SY09	PREFUNCTION 106 AUDIOVISUAL SYSTEM		
SY10	STUDENT 123 AUDIOVISUAL SYSTEM		
SY11	PREFUNCTION 111 AUDIOVISUAL SYSTEM		
SY12	PREFUNCTION 206 AUDIOVISUAL SYSTEM		
SY13	CORRIDOR C201 AUDIOVISUAL SYSTEM		
SY15	PREFUNCTION 306 AUDIOVISUAL SYSTEM		
SY16	STUDENT 310 AUDIOVISUAL SYSTEM		
SY17	CIRCULATION C301 AUDIOVISUAL SYSTEM		
SY18	TYPICAL 4 SEAT STUDY ROOM AUDIOVISUAL SYSTEM		
SY19	TYPICAL 6 SEAT STUDY ROOM AUDIOVISUAL SYSTEM		
SY20	SMALL CONFERENCE ROOM (TYPICAL OF 943, 944) AUDIOVISUAL SYSTEM		
SY21	LARGE CONFERENCE ROOM 989 AUDIOVISUAL SYSTEM		
SY23	LOBBY V902 AUDIOVISUAL SYSTEM		
SY24	BREAK ROOM 925 AUDIOVISUAL SYSTEM		
SY25	LARGE CONFERENCE 1031 AUDIOVISUAL SYSTEM		
SY26	CONFERENCE ROOM 1075 AUDIOVISUAL SYSTEM		
SY28	BREAK ROOM 1029 AUDIOVISUAL SYSTEM		
SY29	LOBBY V1002 AUDIOVISUAL SYSTEM		
SY30	BOARD ROOM 1161 AUDIOVISUAL SYSTEM		
SY31	CONFERENCE ROOM 1166 AUDIOVISUAL SYSTEM		
SY32	SMALL CONFERENCE ROOM (TYPICAL OF 1143, 1110) AUDIOVISUAL SYSTEM		
SY33	PREFUNCTION 1159 AUDIOVISUAL SYSTEM		
SY34	LOBBY V1102 AUDIOVISUAL SYSTEM		
SY35	LOBBY V102 AUDIOVISUAL SYSTEM		



**FOR OWNER REVIEW - NOT FOR CONSTRUCTION**

**AUDIOVISUAL SYSTEMS  
COVER SHEET**

**EASTERN VIRGINIA  
MEDICAL SCHOOL  
NEW EDUCATION &  
ACADEMIC ADMINISTRATION  
BUILDING**

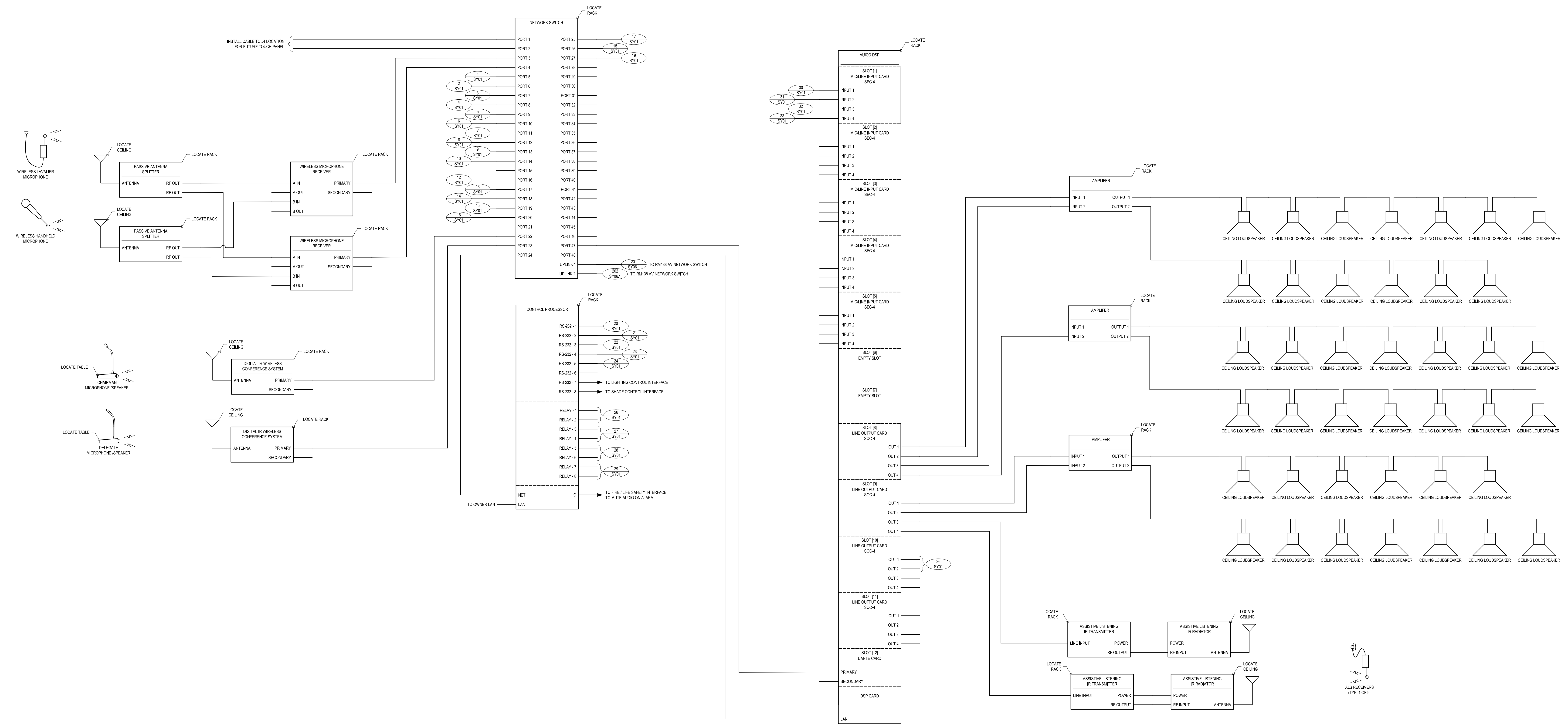
Revisions	Comments	Date	No.

Project	2960	Design	DF
Drawn	DF	Approved	ML
Scale	NTS	Date	07/08/19
Sheet	SY00		

**EASTERN VIRGINIA  
 MEDICAL SCHOOL  
 NEW EDUCATION &  
 ACADEMIC ADMINISTRATION  
 BUILDING**

**CLASSROOM 100 AUDIOVISUAL  
 SYSTEM - AUDIO AND CONTROL**

**FOR OWNER REVIEW - NOT FOR CONSTRUCTION**



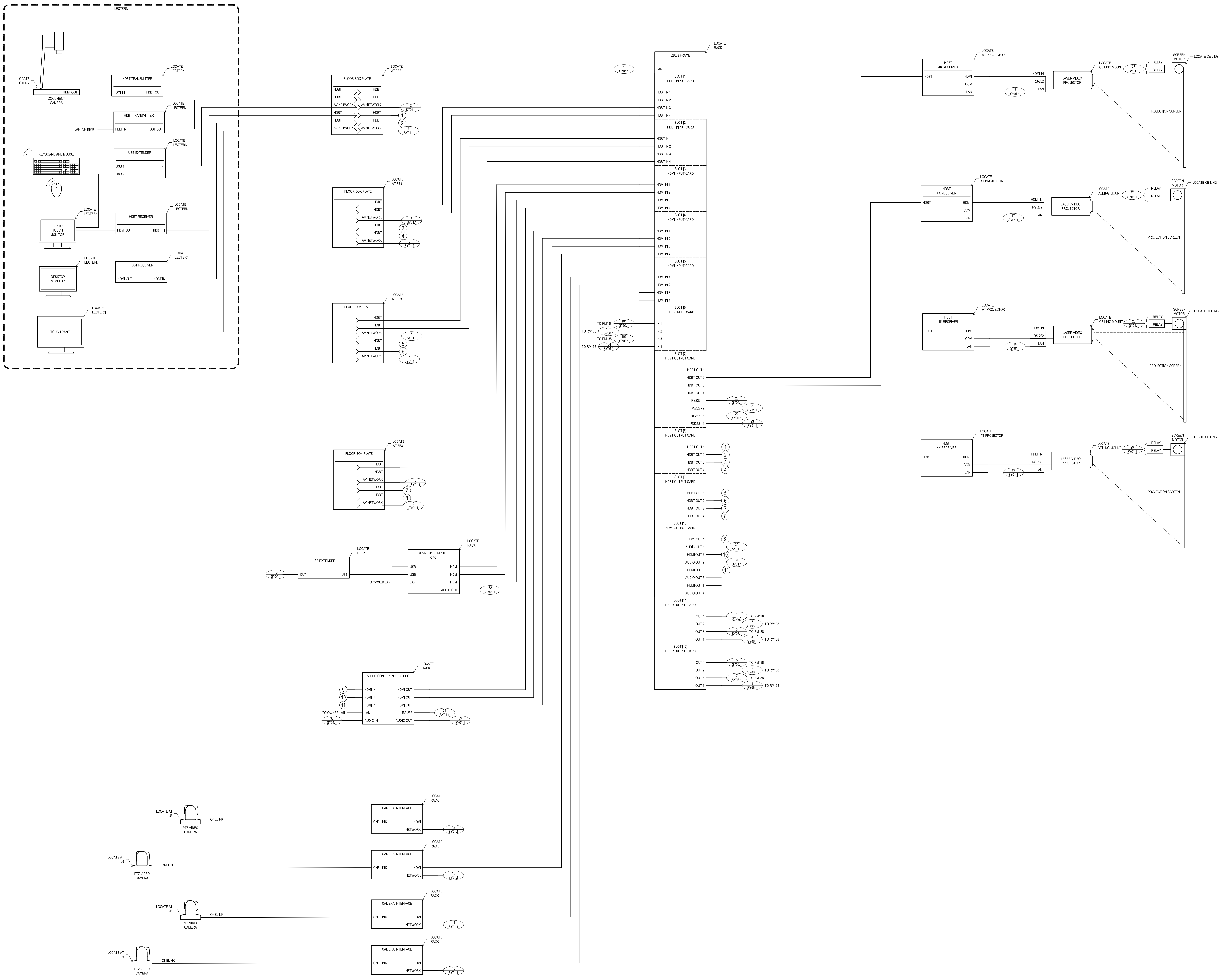
No.	Date	Revisions	Comments

Project	2960	Design	DF
Drawn	DF	Approved	ML
Scale	NTS	Date	07/08/19
Sheet	SY01.1		

**CLASSROOM 100 AUDIOVISUAL  
 SYSTEM - VIDEO**

**EASTERN VIRGINIA  
 MEDICAL SCHOOL  
 NEW EDUCATION &  
 ACADEMIC ADMINISTRATION  
 BUILDING**

FOR OWNER REVIEW - NOT FOR CONSTRUCTION



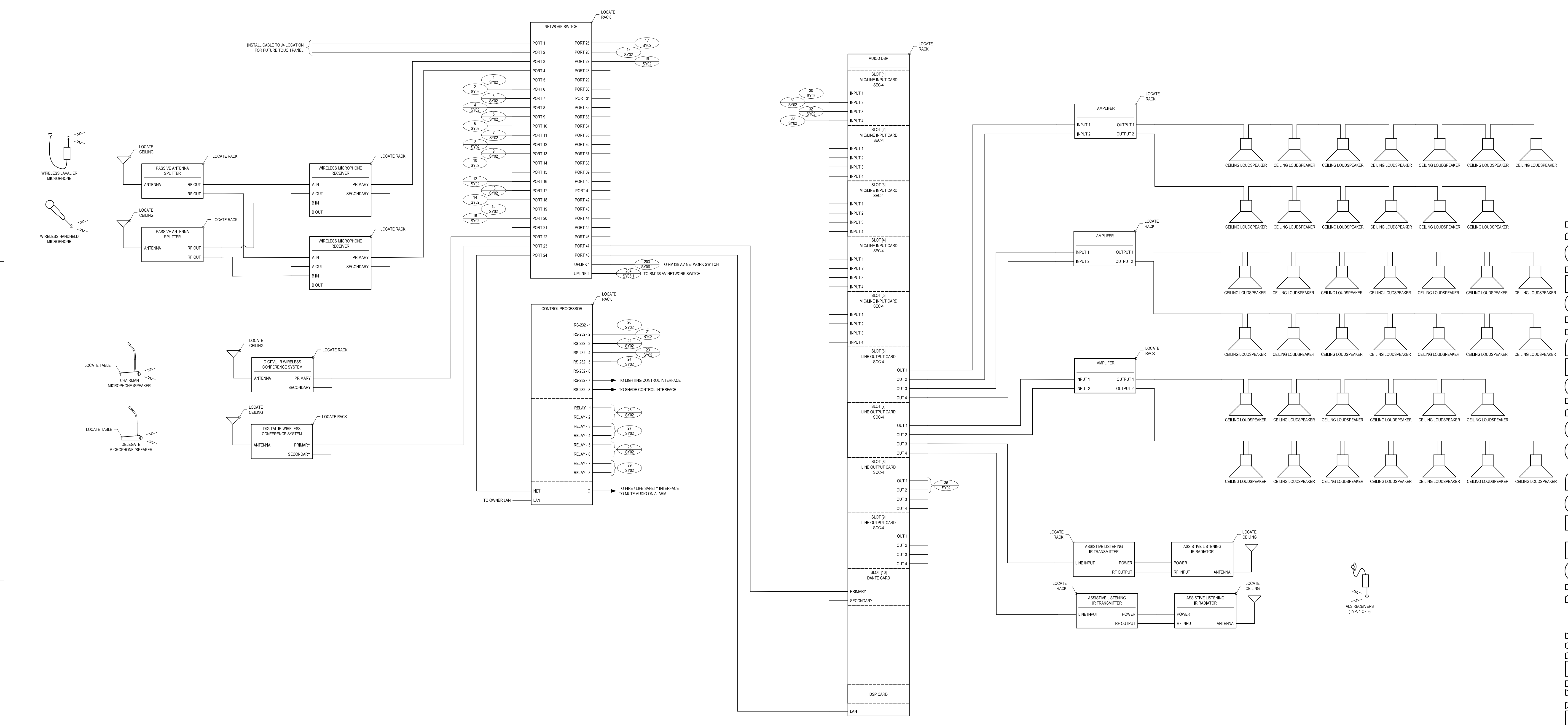
No.	Date	Revisions	Comments

Project	2960	Design	DF
Drawn	DF	Approved	ML
Scale	NTS	Date	07/08/19
Sheet	SY01		

**EASTERN VIRGINIA  
 MEDICAL SCHOOL  
 NEW EDUCATION &  
 ACADEMIC ADMINISTRATION  
 BUILDING**

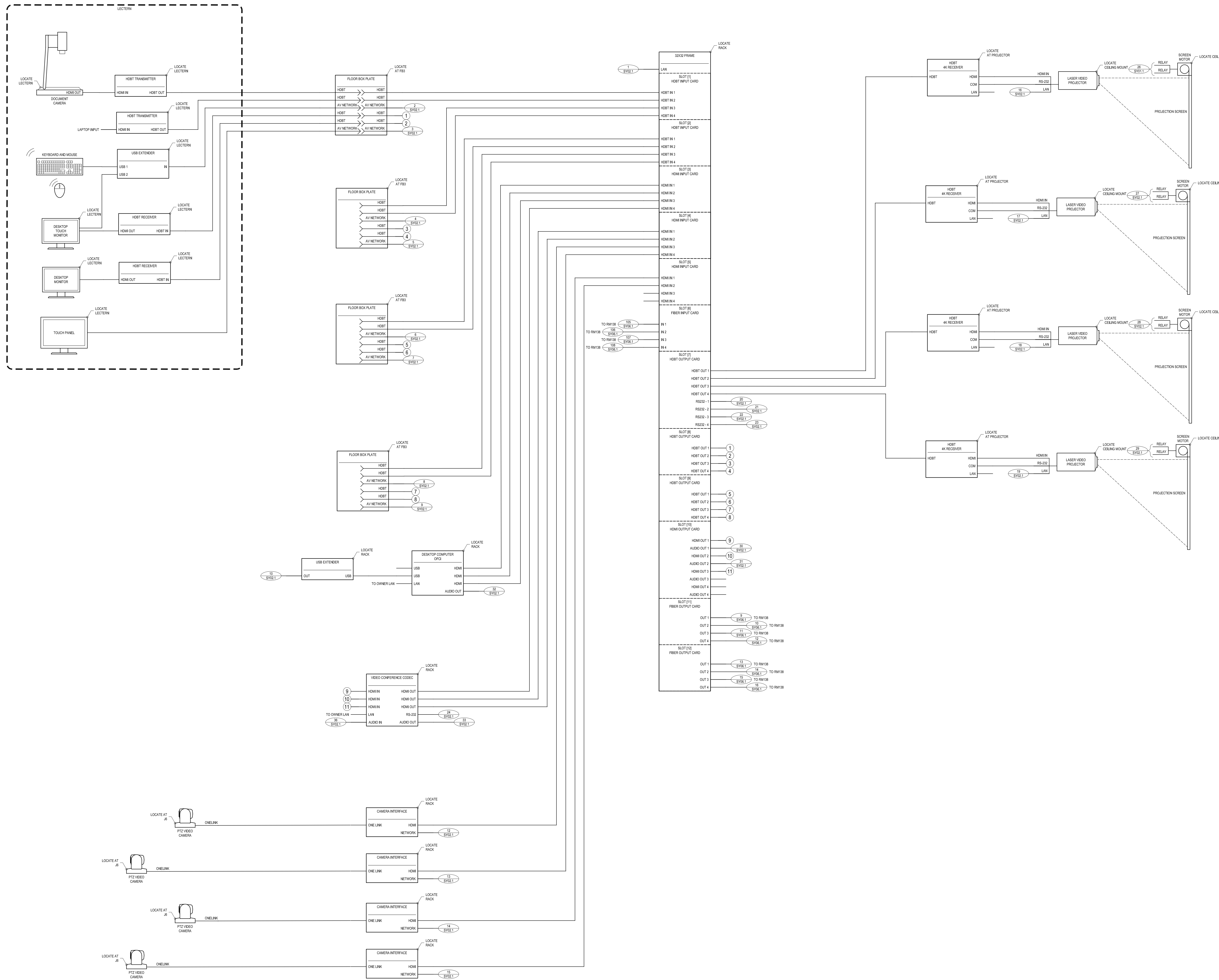
**CLASSROOM 200 AUDIOVISUAL  
 SYSTEM - AUDIO AND CONTROL**

**FOR OWNER REVIEW - NOT FOR CONSTRUCTION**



No.	Date	Revisions	Comments

Project	2960	Design	DF
Drawn	DF	Approved	ML
Scale	NTS	Date	07/08/19
Sheet	SY02.1		



FOR OWNER REVIEW - NOT FOR CONSTRUCTION

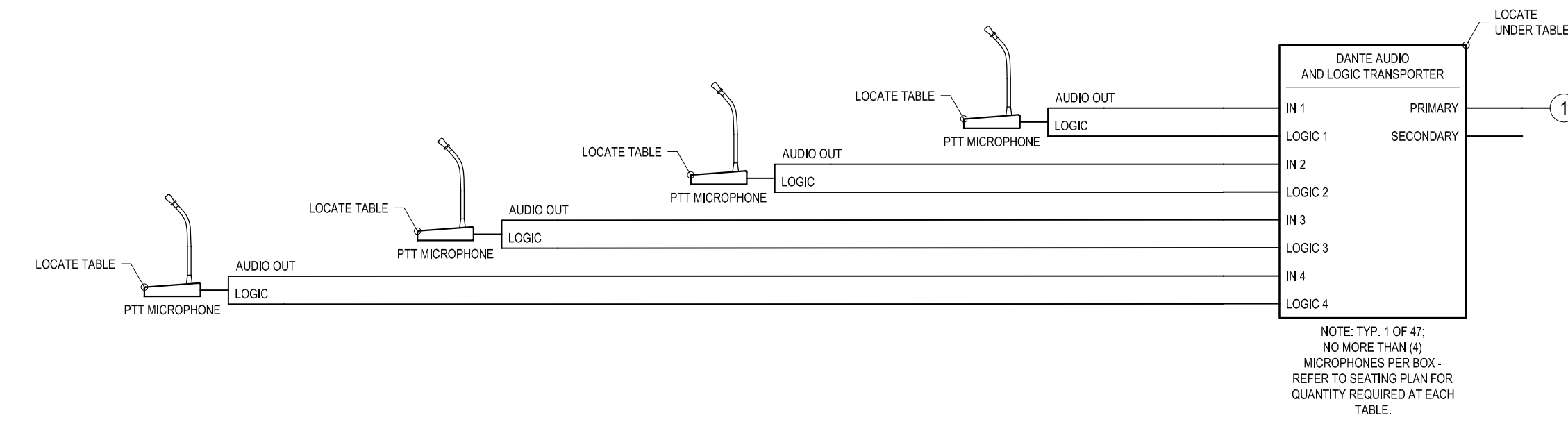
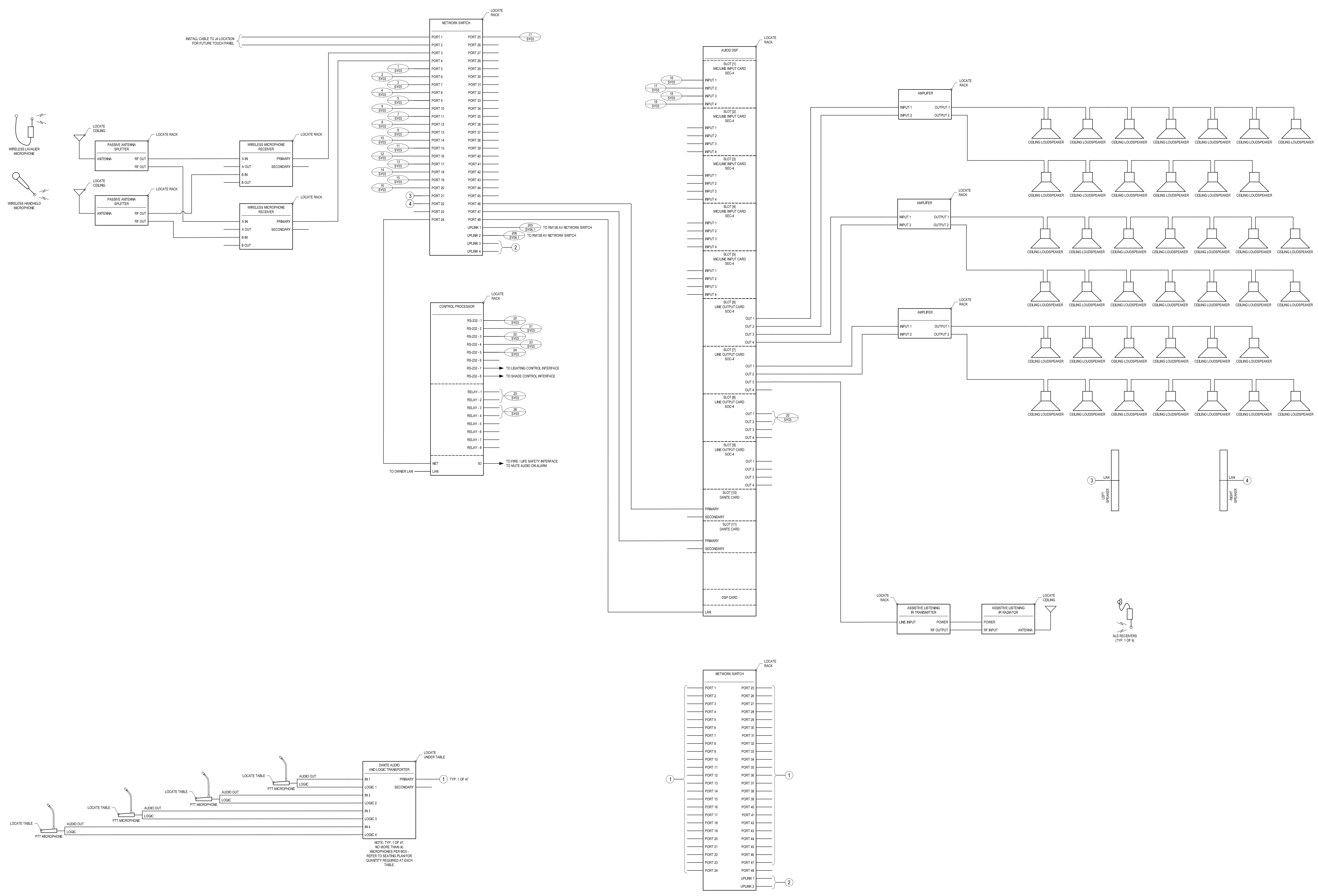
EASTERN VIRGINIA  
 MEDICAL SCHOOL  
 NEW EDUCATION &  
 ACADEMIC ADMINISTRATION  
 BUILDING

CLASSROOM 200 AUDIOVISUAL  
 SYSTEM - VIDEO

Revisions	
No.	Comments

Project	2960	Design	DF
Drawn	DF	Approved	ML
Scale	NTS	Date	07/08/19
Sheet	SY02		

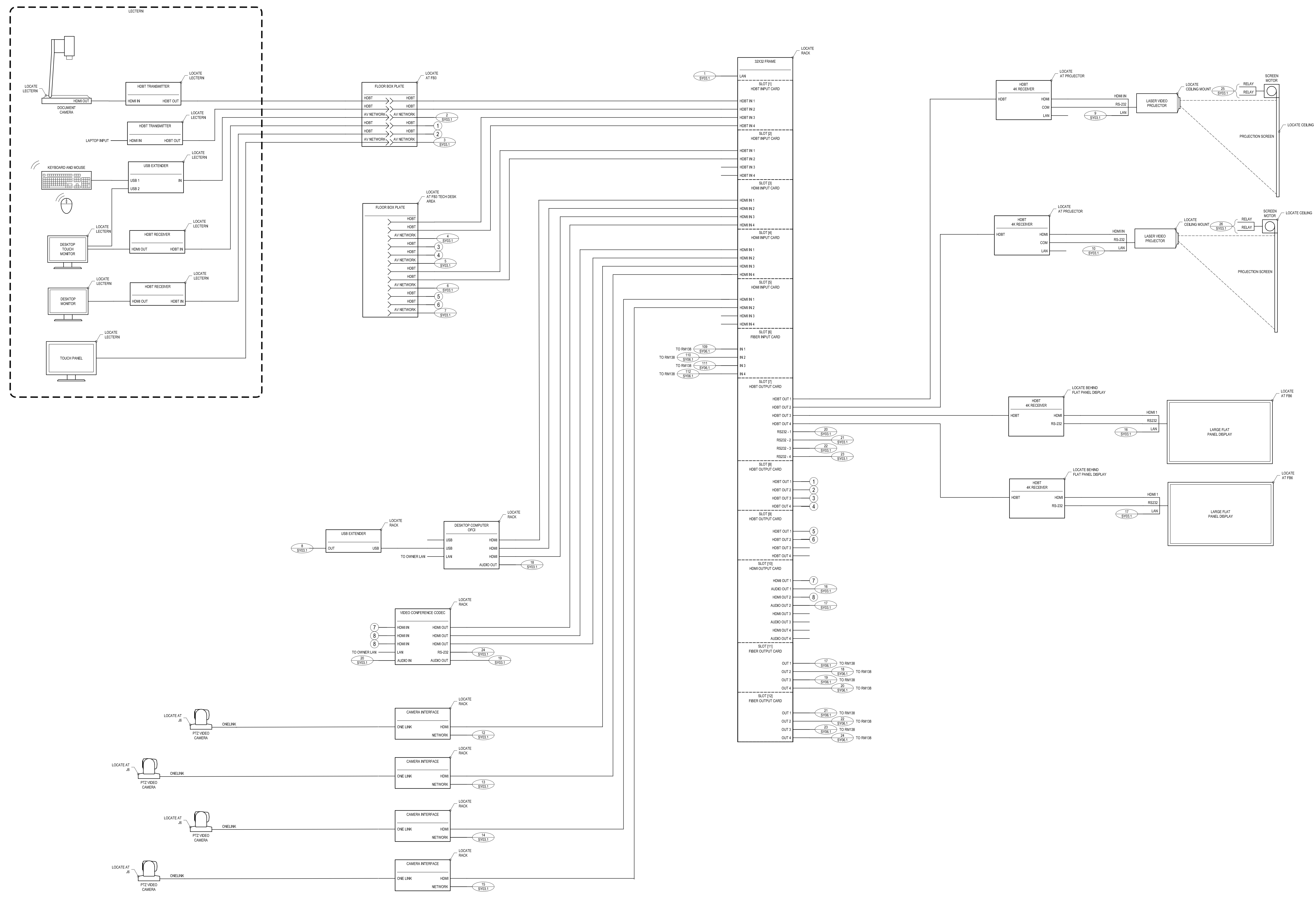
**FOR OWNER REVIEW - NOT FOR CONSTRUCTION**



NOTE: TYP. 1 OF 41;  
 NO MORE THAN 10  
 MICROPHONES PER ROW.  
 REFER TO SEATING PLAN FOR  
 QUANTITY REQUIRED AT EACH  
 TABLE.

No.	Date	Revisions	Comments

Project	2960	Design	DF
Drawn	DF	Approved	ML
Scale	NTS	Date	07/08/19
Sheet	SY03.1		



FOR OWNER REVIEW - NOT FOR CONSTRUCTION

**CLASSROOM 300 AUDIOVISUAL SYSTEM - VIDEO**

**EASTERN VIRGINIA MEDICAL SCHOOL NEW EDUCATION & ACADEMIC ADMINISTRATION BUILDING**

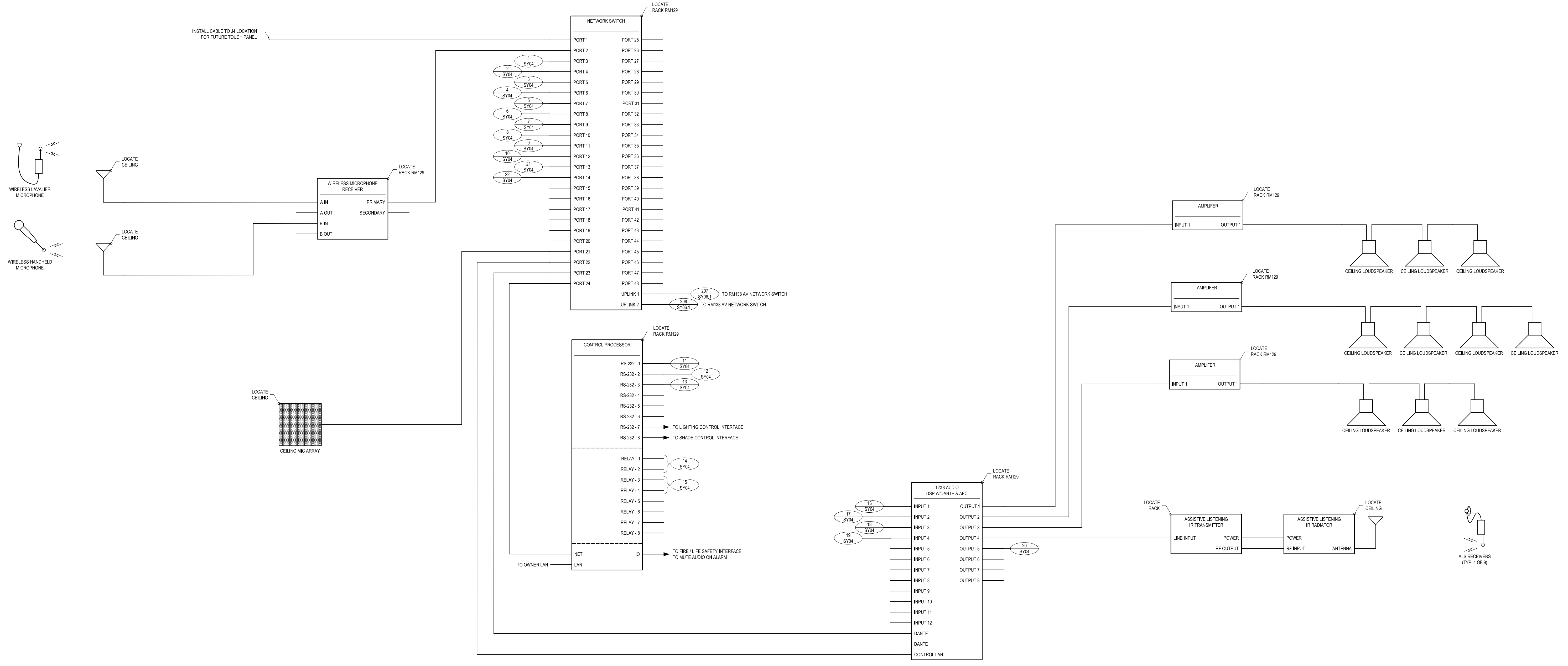
No.	Date	Revisions	Comments

Project	2960	Design	DF
Drawn	DF	Approved	ML
Scale	NTS	Date	07/08/19
Sheet	SY03		

**CLASSROOM 131 AUDIOVISUAL  
 SYSTEM - AUDIO AND CONTROL**

**EASTERN VIRGINIA  
 MEDICAL SCHOOL  
 NEW EDUCATION &  
 ACADEMIC ADMINISTRATION  
 BUILDING**

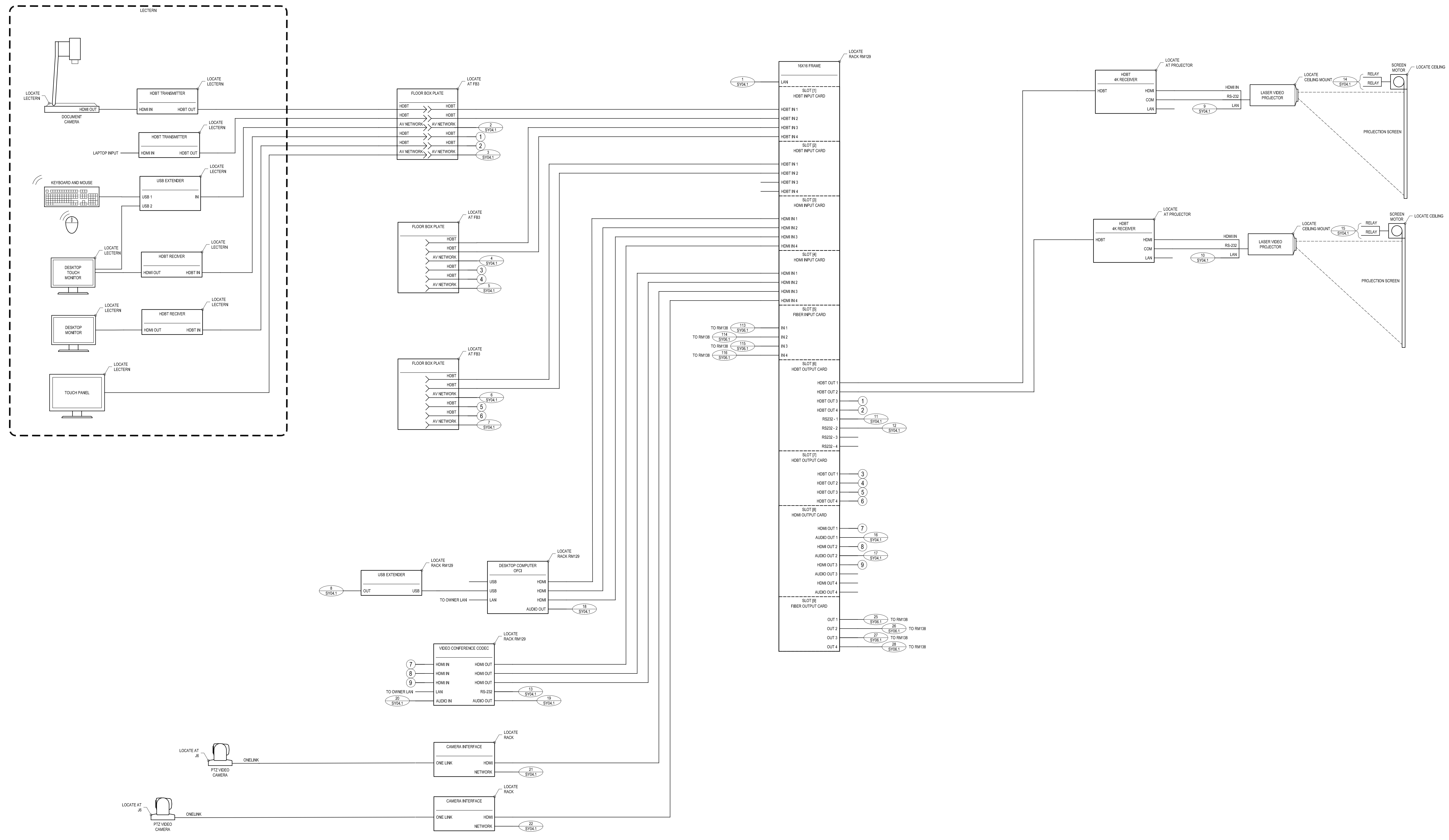
**FOR OWNER REVIEW - NOT FOR CONSTRUCTION**



No.	Date	Revisions	Comments

Project	2960	Design	DF
Drawn	DF	Approved	ML
Scale	NTS	Date	07/08/19
Sheet	SY04.1		





FOR OWNER REVIEW - NOT FOR CONSTRUCTION

**CLASSROOM 131 AUDIOVISUAL SYSTEM - VIDEO**

**EASTERN VIRGINIA MEDICAL SCHOOL NEW EDUCATION & ACADEMIC ADMINISTRATION BUILDING**

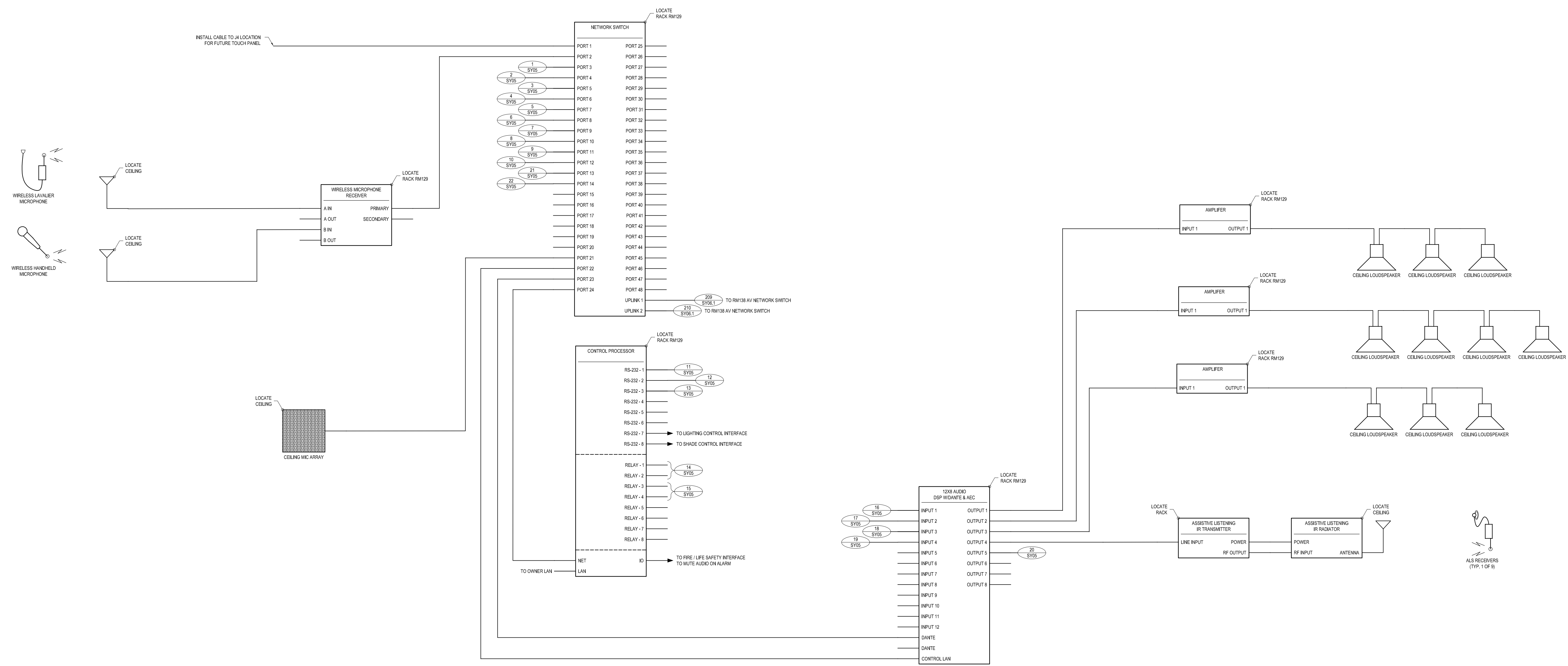
No.	Date	Revisions	Comments

Project	2960	Design	DF
Drawn	DF	Approved	ML
Scale	NTS	Date	07/08/19
Sheet	SY04		

FOR OWNER REVIEW - NOT FOR CONSTRUCTION

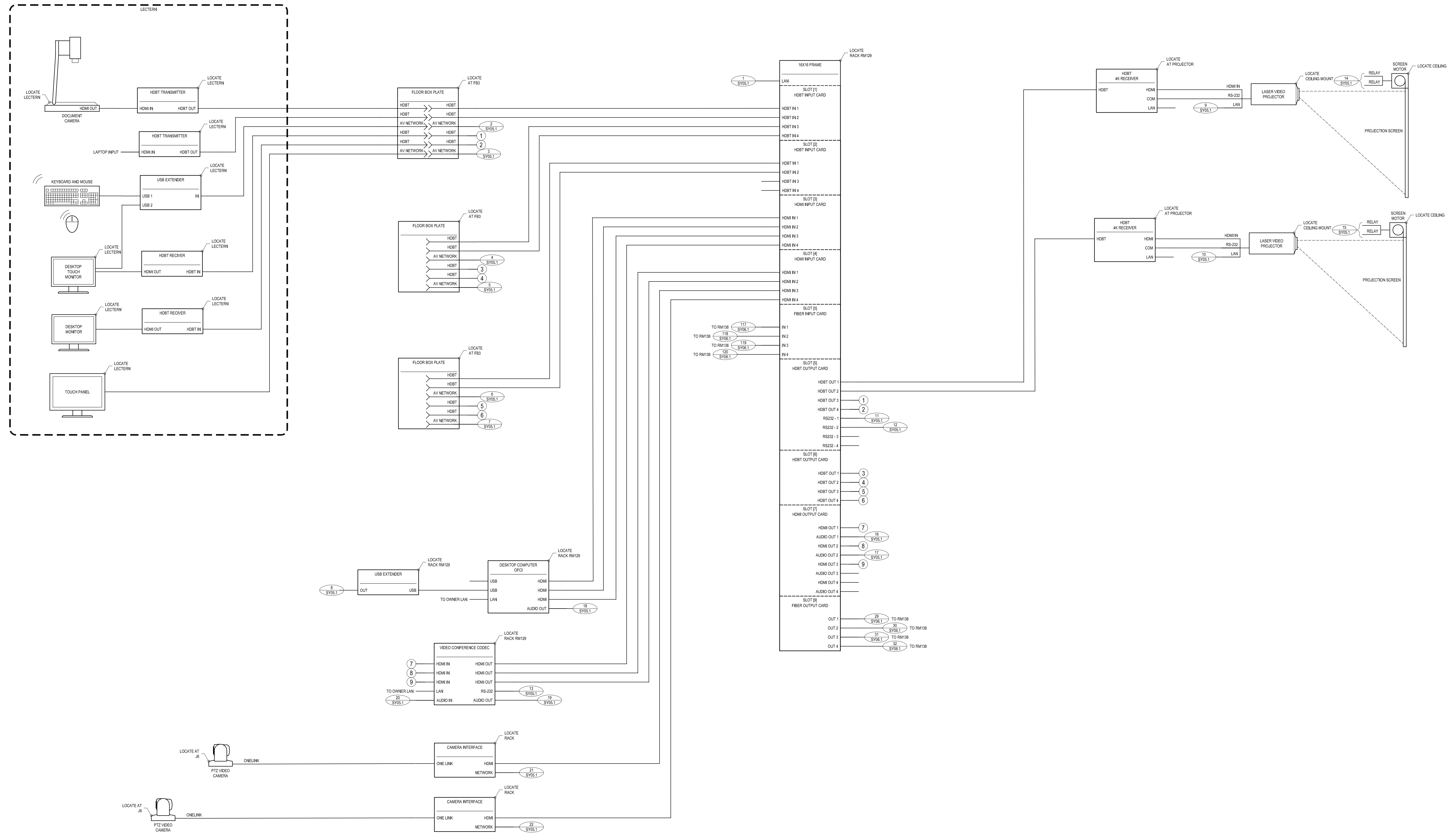
**CLASSROOM 133 AUDIOVISUAL SYSTEM - AUDIO AND CONTROL**

**EASTERN VIRGINIA MEDICAL SCHOOL  
 NEW EDUCATION & ACADEMIC ADMINISTRATION BUILDING**



Revisions	Comments
No.	
Date	

Project	2960	Design	DF
Drawn	DF	Approved	ML
Scale	NTS	Date	07/08/19
Sheet	SY05.1		



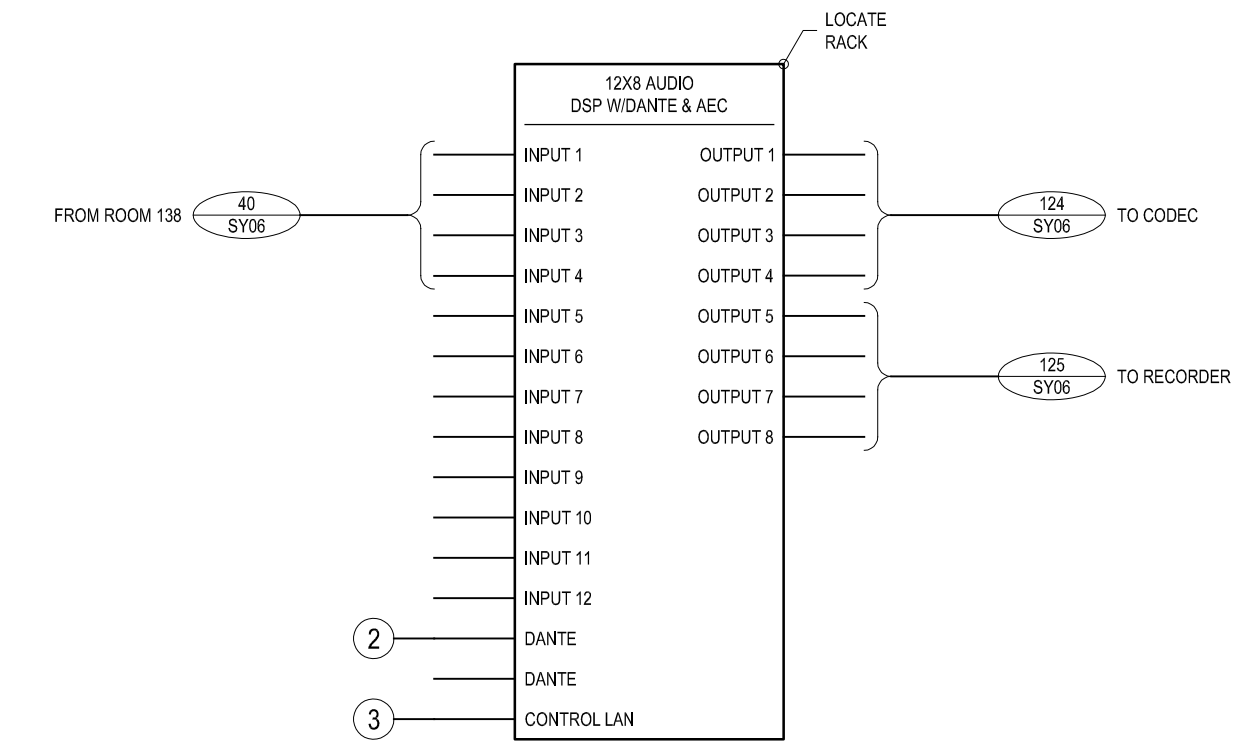
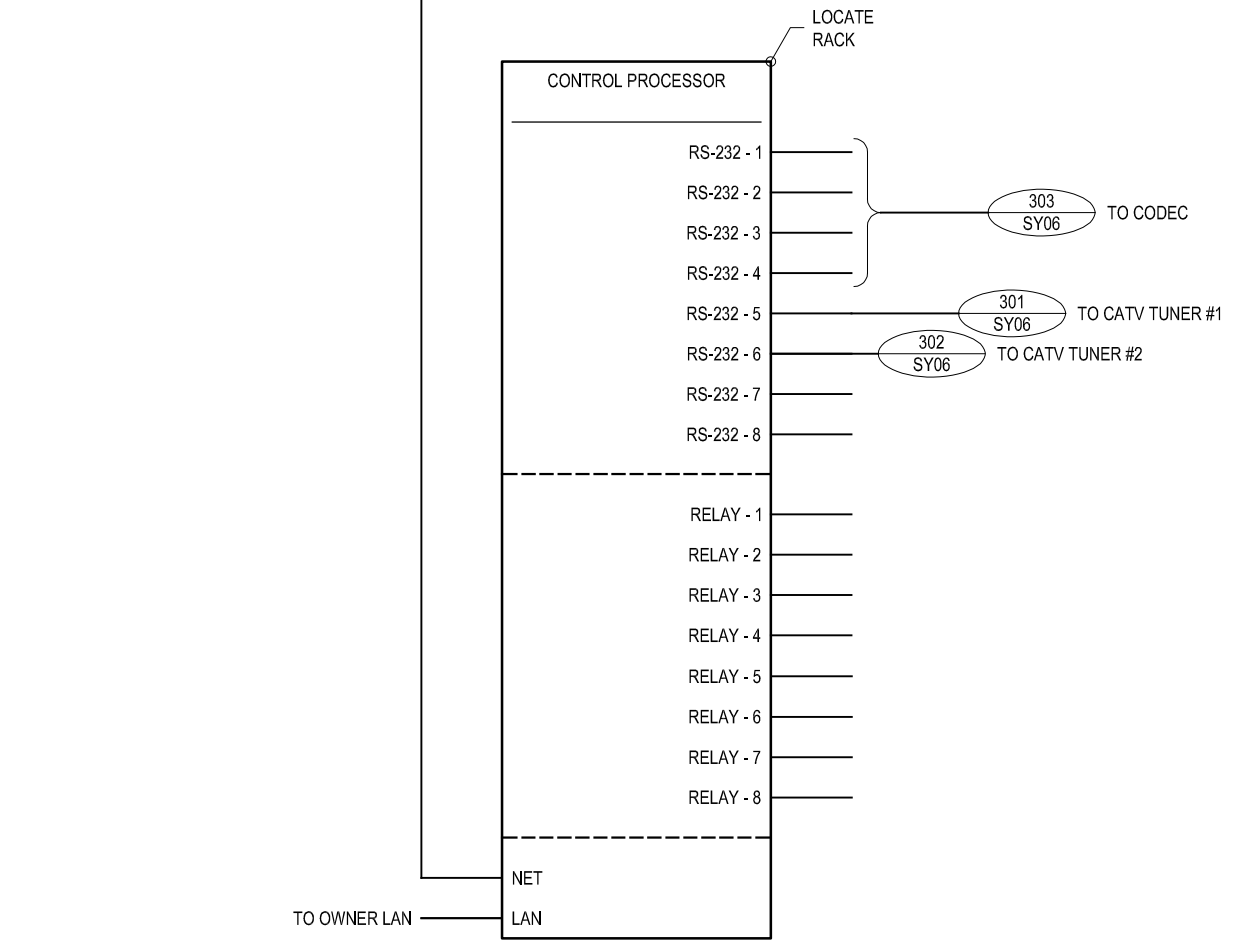
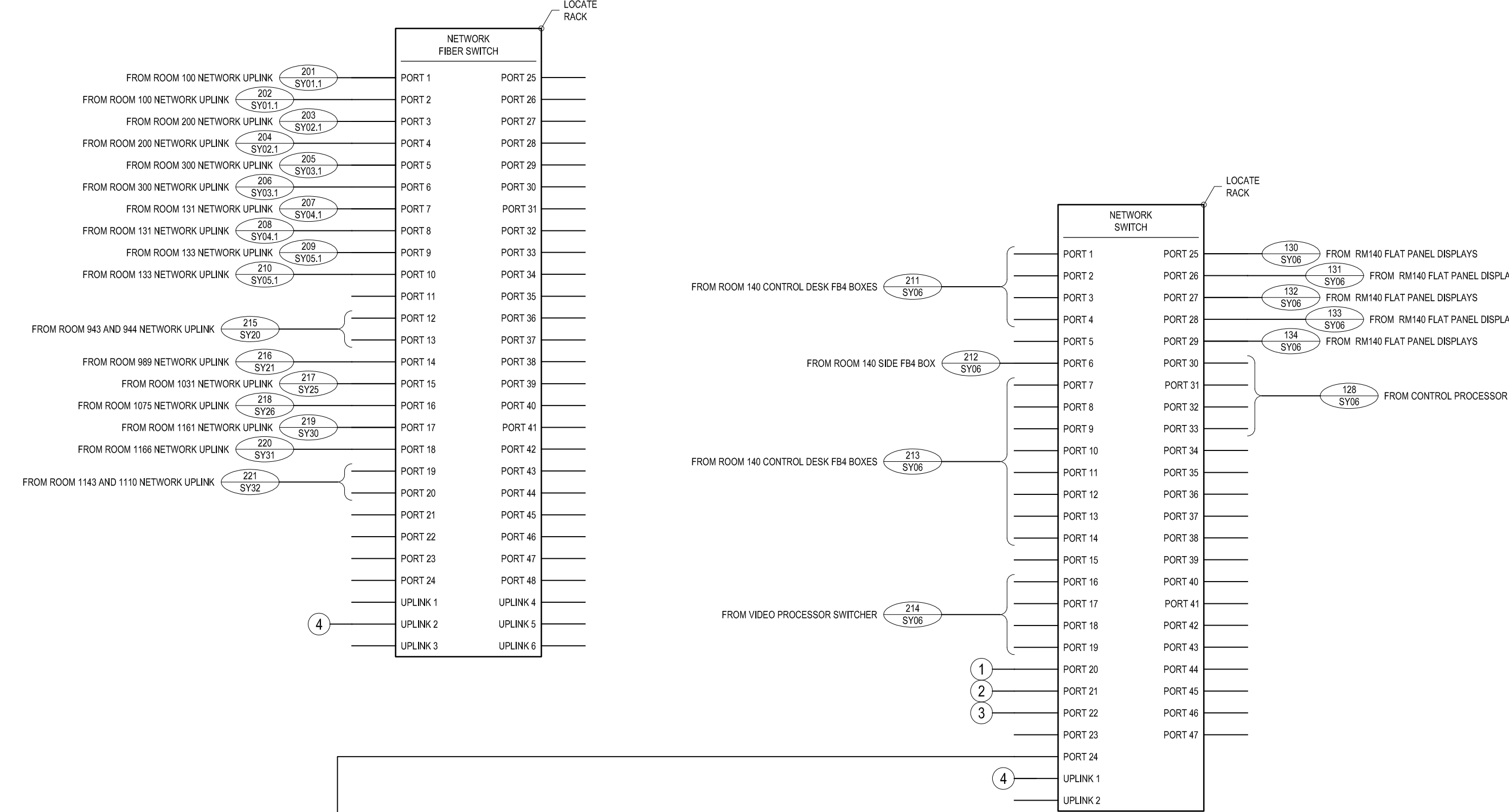
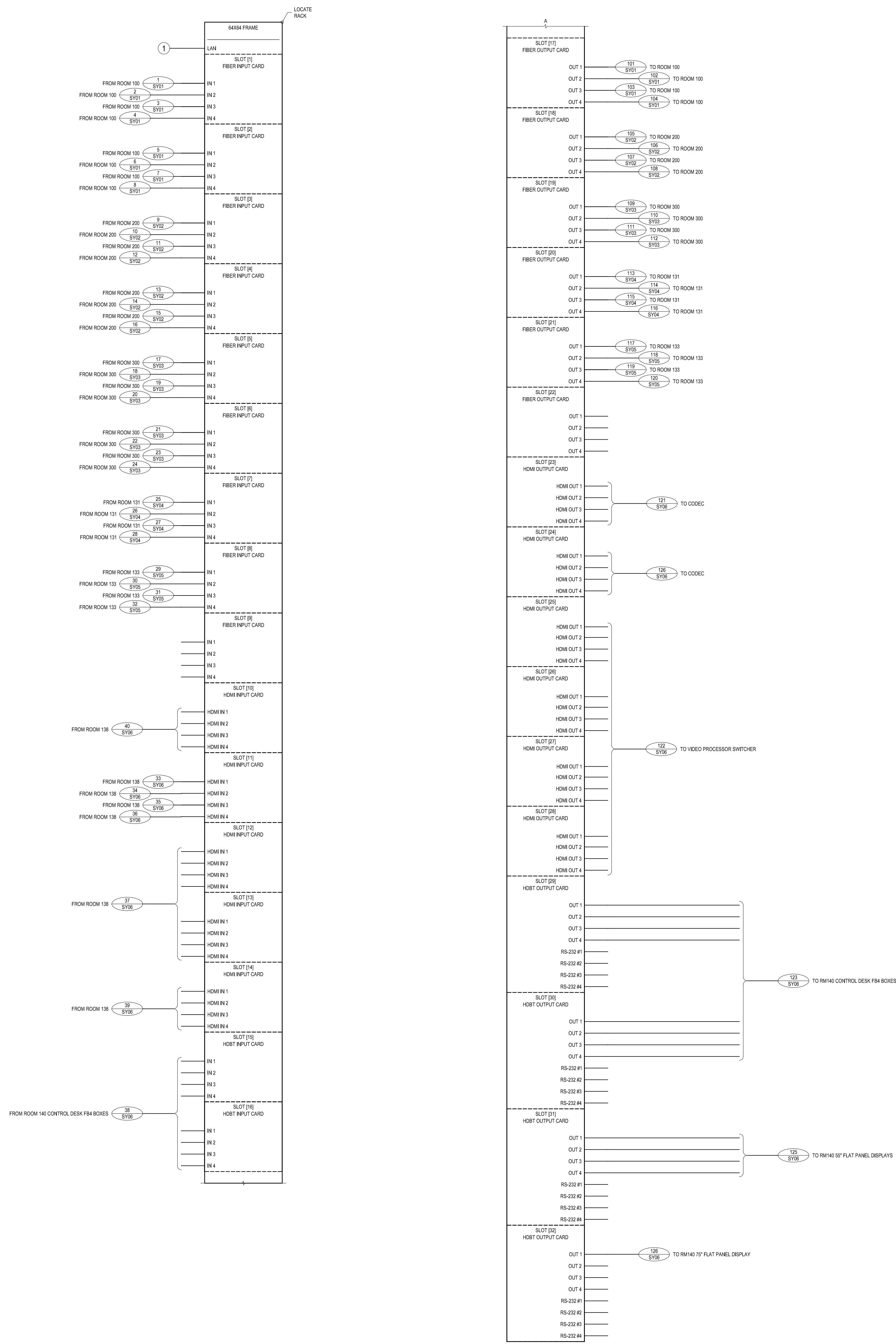
FOR OWNER REVIEW - NOT FOR CONSTRUCTION

**CLASSROOM 133 AUDIOVISUAL SYSTEM - VIDEO**

**EASTERN VIRGINIA MEDICAL SCHOOL NEW EDUCATION & ACADEMIC ADMINISTRATION BUILDING**

Revisions		Comments	
No.	Date		

Project	2960	Design	DF
Drawn	DF	Approved	ML
Scale	NTS	Date	07/08/19
Sheet	SY05		



**FOR OWNER REVIEW - NOT FOR CONSTRUCTION**

**AV SUPPORT 140 / RACK 138  
 AUDIOVISUAL SYSTEM - AUDIO  
 AND CONTROL**

**EASTERN VIRGINIA  
 MEDICAL SCHOOL  
 NEW EDUCATION &  
 ACADEMIC ADMINISTRATION  
 BUILDING**

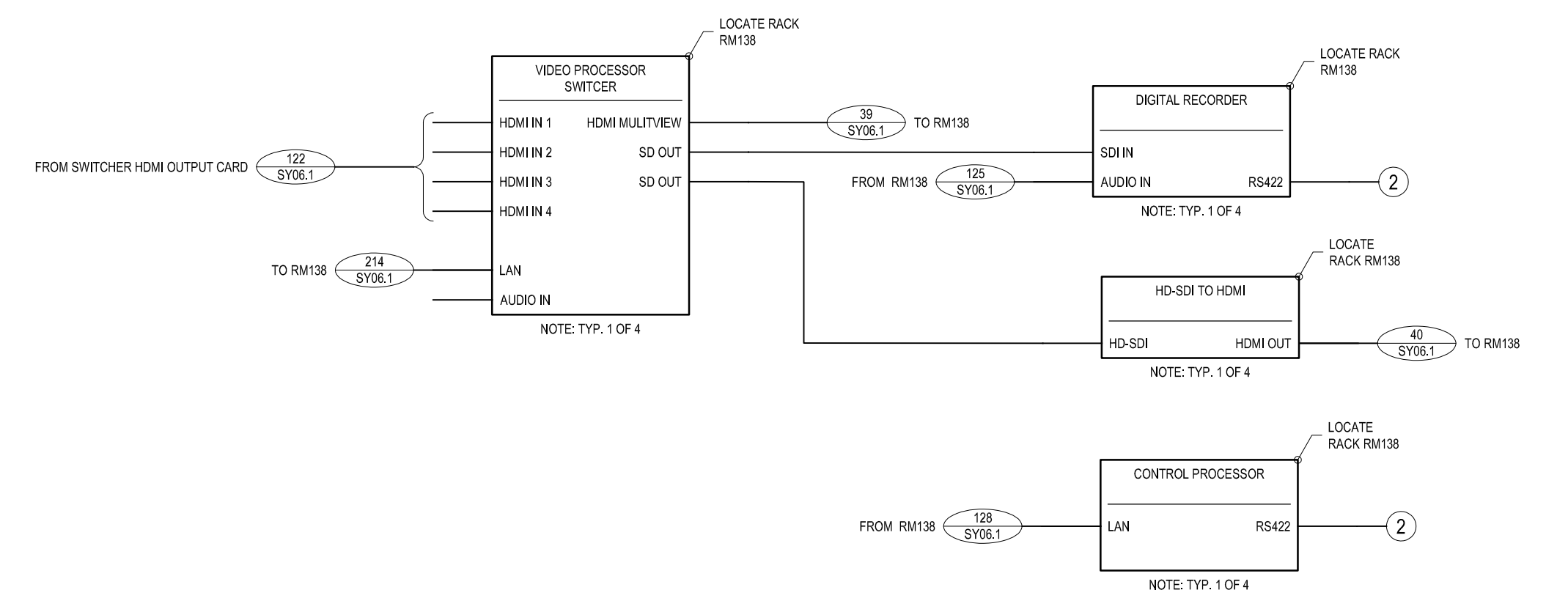
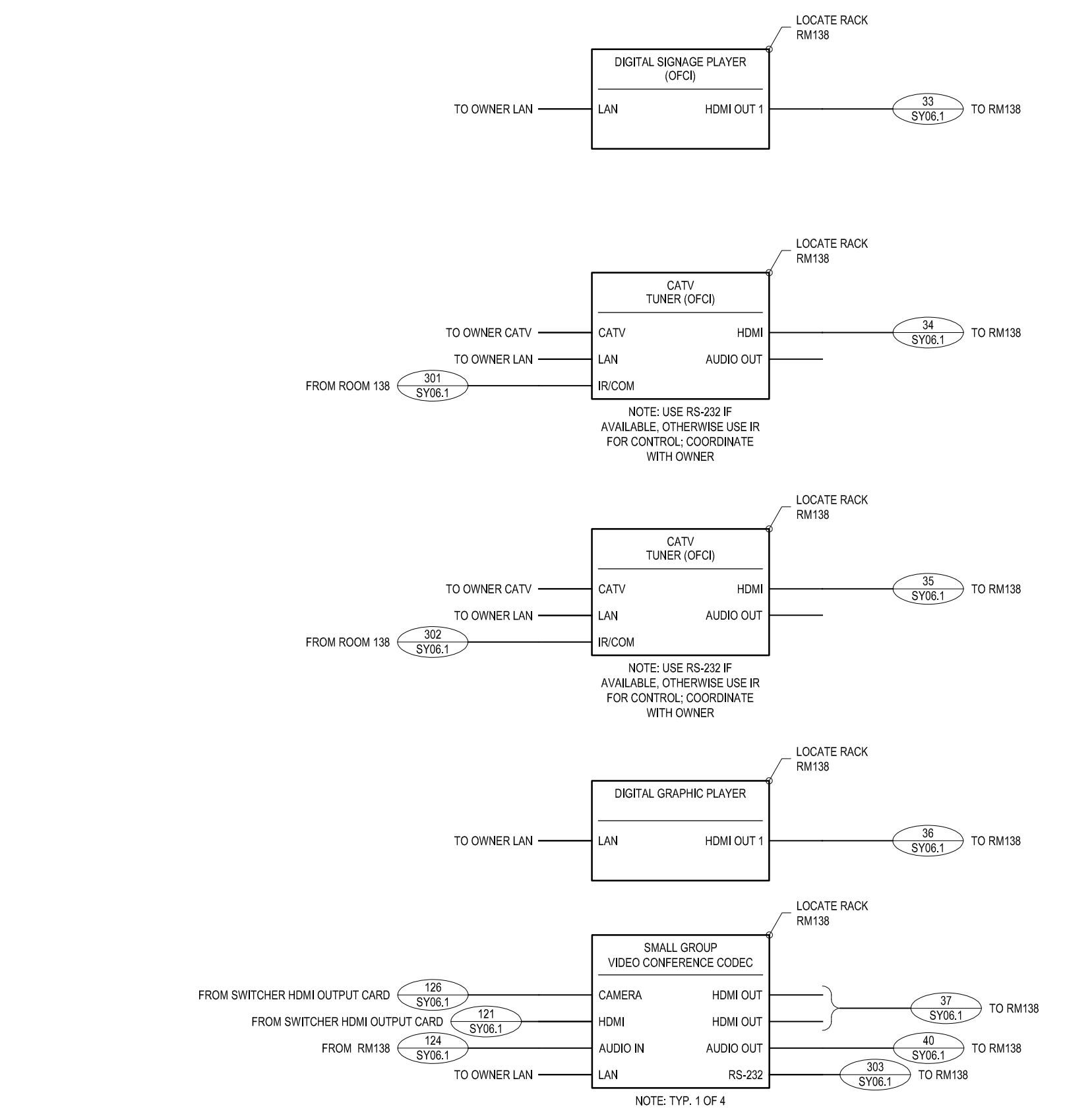
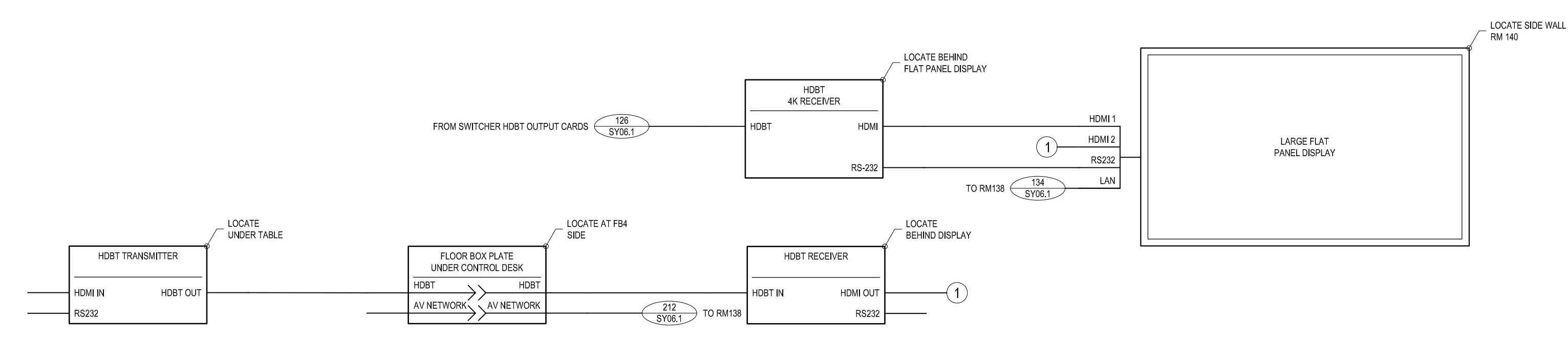
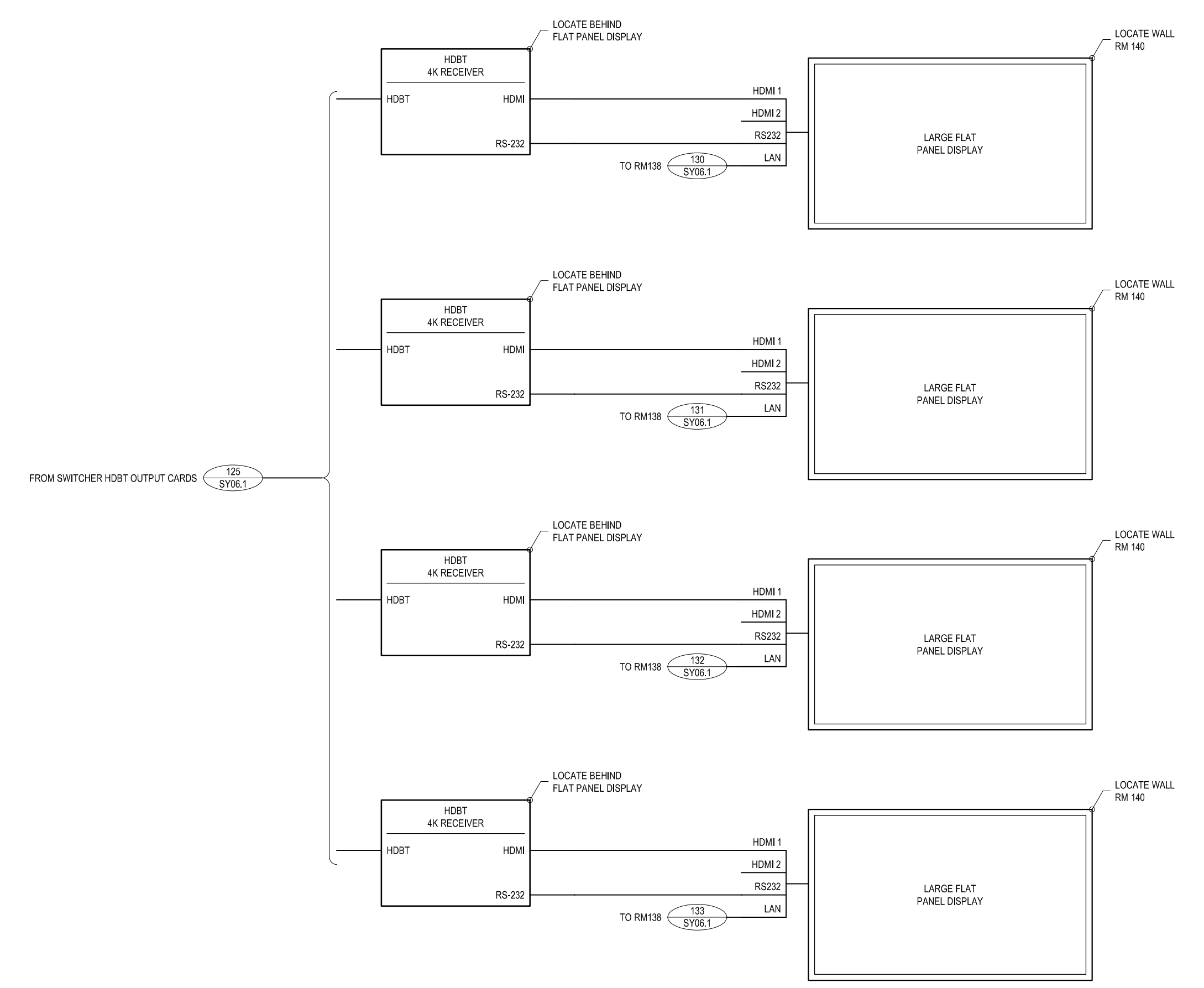
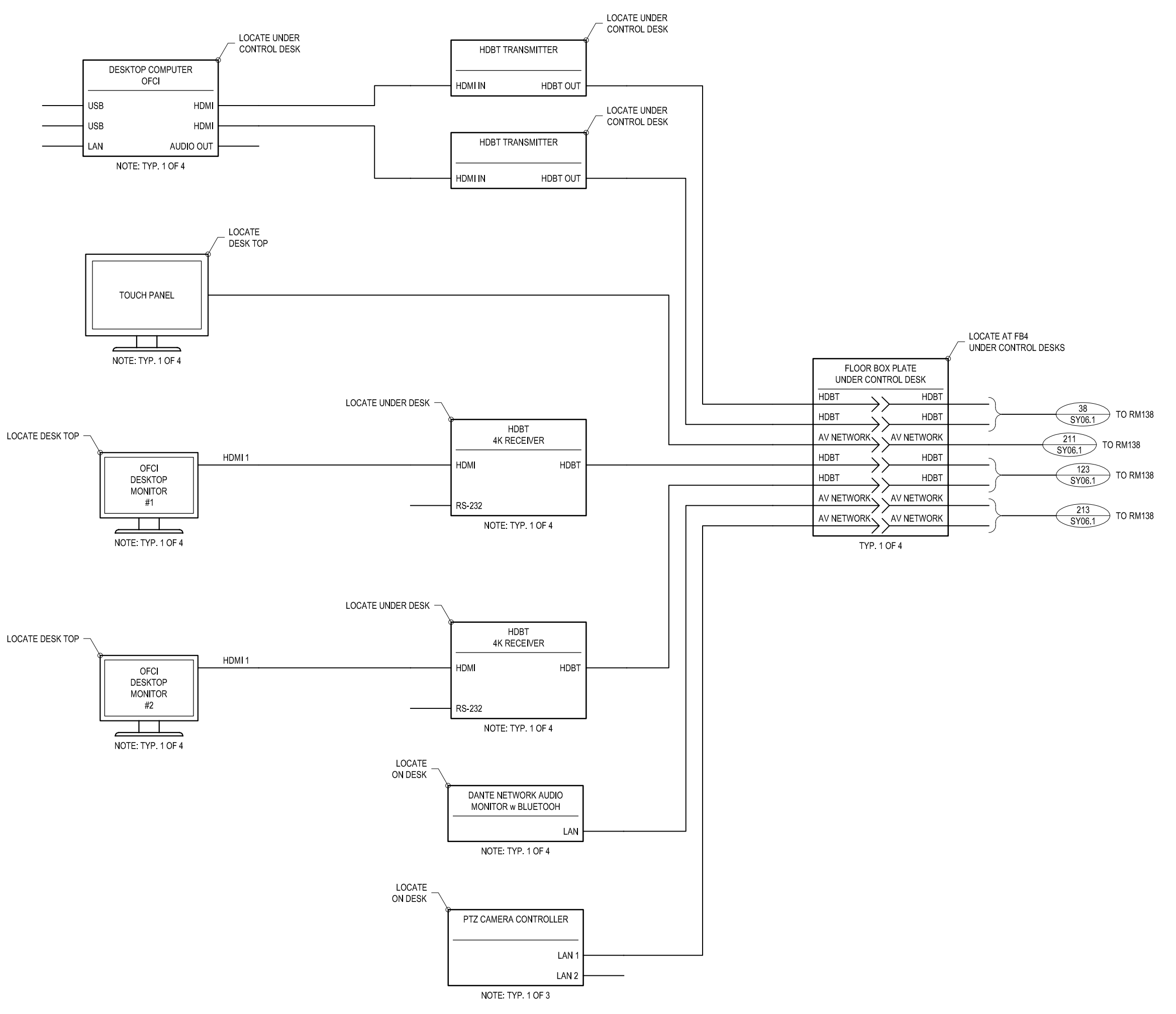
No.	Date	Revisions	Comments

Project	2960	Design	DF
Drawn	DF	Approved	ML
Scale	NTS	Date	07/08/19
Sheet	SY06.1		

**FOR OWNER REVIEW - NOT FOR CONSTRUCTION**

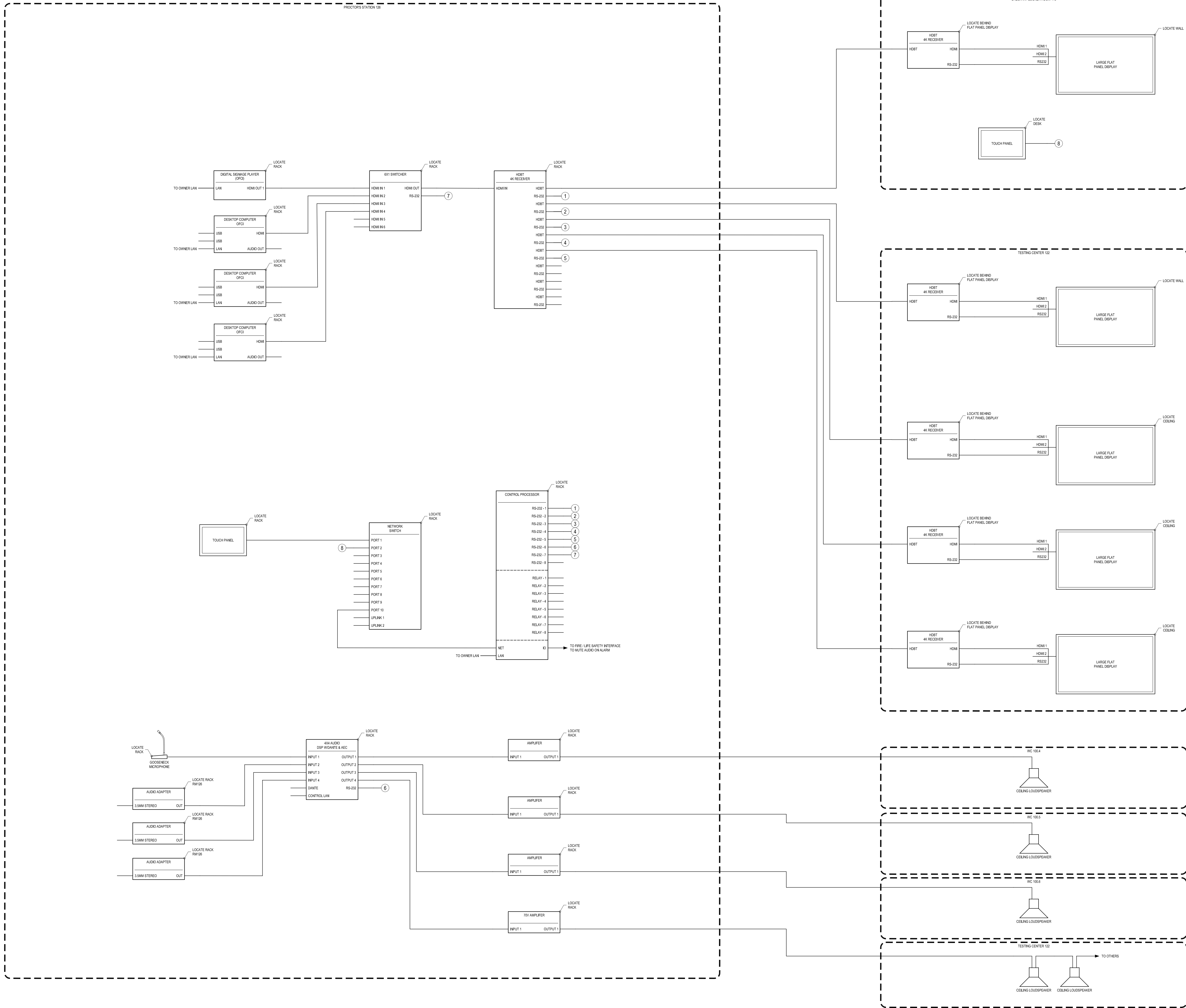
**AV SUPPORT 140 / RACK 138  
 AUDIOVISUAL SYSTEM - VIDEO**

**EASTERN VIRGINIA  
 MEDICAL SCHOOL  
 NEW EDUCATION &  
 ACADEMIC ADMINISTRATION  
 BUILDING**



No.	Date	Revisions	Comments

Project	2960	Design	DF
Drawn	DF	Approved	ML
Scale	NTS	Date	07/08/19
Sheet	SY06		



FOR OWNER REVIEW - NOT FOR CONSTRUCTION

EASTERN VIRGINIA  
 MEDICAL SCHOOL  
 NEW EDUCATION &  
 ACADEMIC ADMINISTRATION  
 BUILDING

TESTING 122  
 AUDIOVISUAL SYSTEM

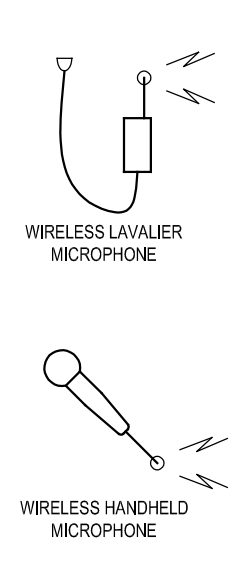
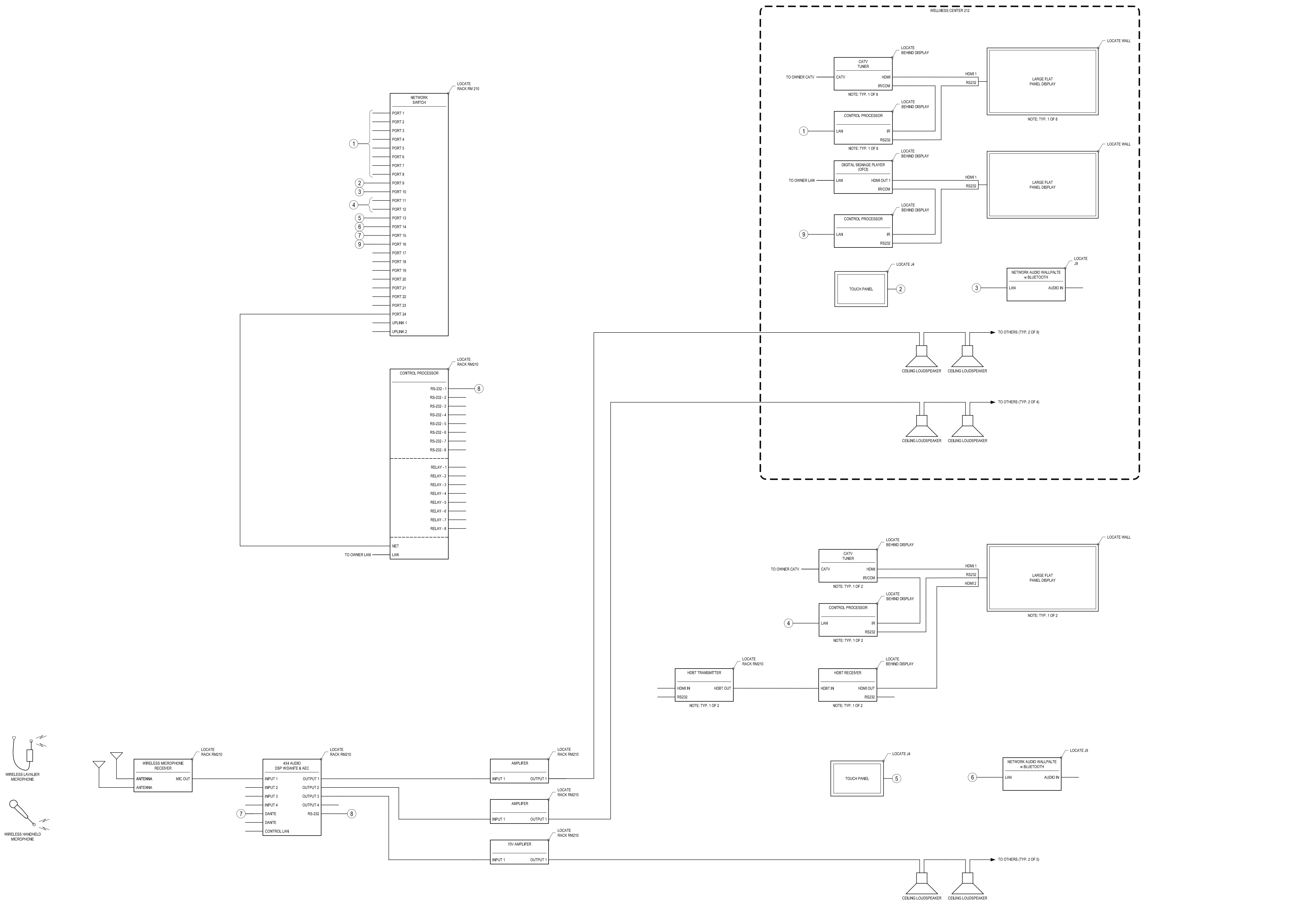
Revisions	
No.	Comments

Project	2960	Design	DF
Drawn	DF	Approved	ML
Scale	NTS	Date	07/08/19
Sheet	SY07		

**WELLNESS 212 / FLEX 210  
 AUDIOVISUAL SYSTEM**

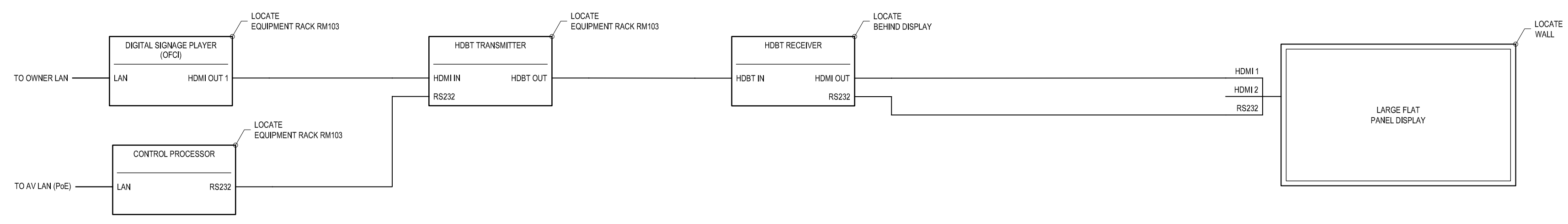
**EASTERN VIRGINIA  
 MEDICAL SCHOOL  
 NEW EDUCATION &  
 ACADEMIC ADMINISTRATION  
 BUILDING**

**FOR OWNER REVIEW - NOT FOR CONSTRUCTION**



No.	Date	Revisions	Comments

Project	2960	Design	DF
Drawn	DF	Approved	ML
Scale	NTS	Date	07/08/19
Sheet	SY08		



**FOR OWNER REVIEW - NOT FOR CONSTRUCTION**

**EASTERN VIRGINIA  
MEDICAL SCHOOL  
NEW EDUCATION &  
ACADEMIC ADMINISTRATION  
BUILDING**

**PREFUNCTION 106  
AUDIOVISUAL SYSTEM**

No.	Date	Revisions	Comments

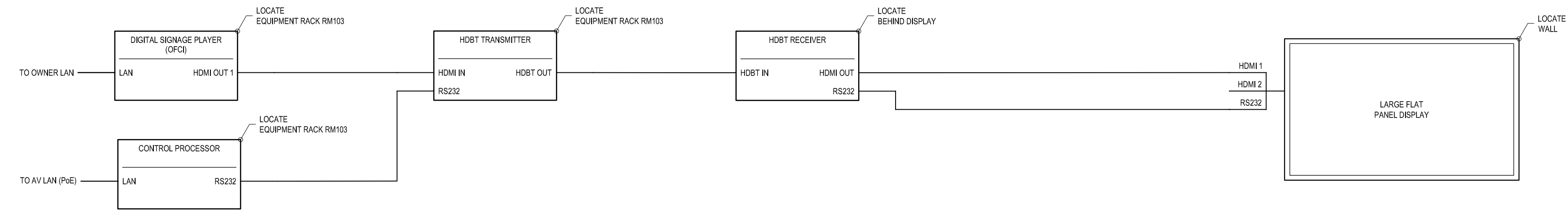
Project	2960	Design	DF
Drawn	DF	Approved	ML
Scale	NTS	Date	07/08/19
Sheet	SY09		

**THE SEXTANT GROUP, INC.**  
 700 WATERFRONT DRIVE  
 SUITE 200  
 PITTSBURGH, PA 15222  
 412.323.8580

**THE SEXTANT GROUP**

AV • IT • SECURITY • ACOUSTICS • LIGHTING





FOR OWNER REVIEW - NOT FOR CONSTRUCTION

**EASTERN VIRGINIA  
MEDICAL SCHOOL  
NEW EDUCATION &  
ACADEMIC ADMINISTRATION  
BUILDING**

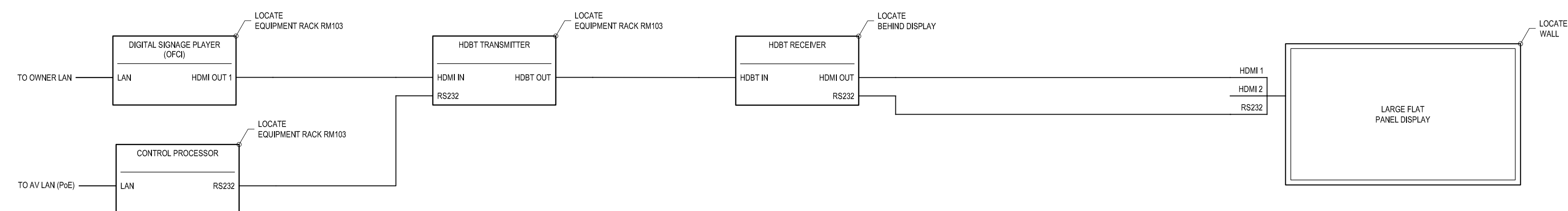
**STUDENT 123  
AUDIOVISUAL SYSTEM**

**THE SEXTANT GROUP, INC.**  
700 WATERFRONT DRIVE  
SUITE 200  
PITTSBURGH, PA 15222  
412.323.8580

THE SEXTANT GROUP  
AV • IT • SECURITY • ACOUSTICS • LIGHTING

No.	Date	Revisions	Comments

Project 2960	Design DF
Drawn DF	Approved ML
Scale NTS	Date 07/08/19
Sheet SY10	



FOR OWNER REVIEW - NOT FOR CONSTRUCTION

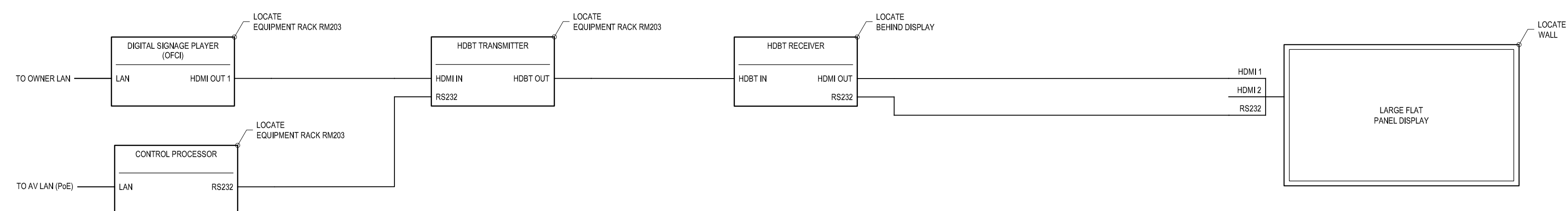
EASTERN VIRGINIA  
 MEDICAL SCHOOL  
 NEW EDUCATION &  
 ACADEMIC ADMINISTRATION  
 BUILDING

PREFUNCTION 111  
 AUDIOVISUAL SYSTEM

No.	Date	Revisions	Comments

Project	2960	Design	DF
Drawn	DF	Approved	ML
Scale	NTS	Date	07/08/19

Sheet  
**SY11**



FOR OWNER REVIEW - NOT FOR CONSTRUCTION

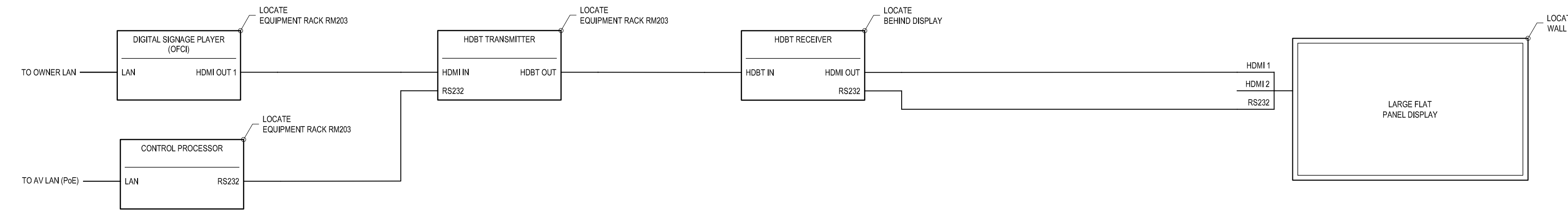
EASTERN VIRGINIA  
 MEDICAL SCHOOL  
 NEW EDUCATION &  
 ACADEMIC ADMINISTRATION  
 BUILDING

PREFUNCTION 206  
 AUDIOVISUAL SYSTEM

No.	Date	Revisions	Comments

Project	2960	Design	DF
Drawn	DF	Approved	ML
Scale	NTS	Date	07/08/19

Sheet  
 SY12



FOR OWNER REVIEW - NOT FOR CONSTRUCTION

**EASTERN VIRGINIA  
MEDICAL SCHOOL  
NEW EDUCATION &  
ACADEMIC ADMINISTRATION  
BUILDING**

**CORRIDOR C201  
AUDIOVISUAL SYSTEM**

No.	Date	Revisions	Comments

Project	2960	Design	DF
Drawn	DF	Approved	ML
Scale	NTS	Date	07/08/19
Sheet	SY13		

SYSTEM  
DELETED

FOR OWNER REVIEW - NOT FOR CONSTRUCTION

EASTERN VIRGINIA  
MEDICAL SCHOOL  
NEW EDUCATION &  
ACADEMIC ADMINISTRATION  
BUILDING

STUDY 215  
AUDIOVISUAL SYSTEM

Revisions	
No.	Comments

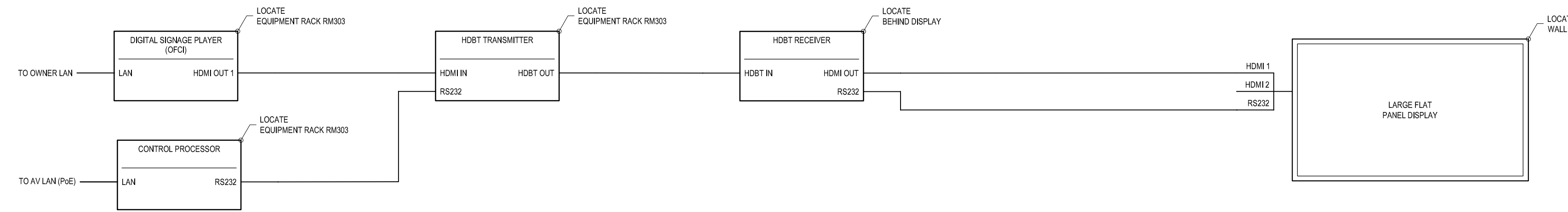
Project	2960	Design	DF
Drawn	DF	Approved	ML
Scale	NTS	Date	07/08/19

Sheet  
SY14

**THE SEXTANT GROUP, INC.**  
700 WATERFRONT DRIVE  
SUITE 200  
PITTSBURGH, PA 15222  
412.323.8580



AV • IT • SECURITY • ACOUSTICS • LIGHTING



FOR OWNER REVIEW - NOT FOR CONSTRUCTION

**EASTERN VIRGINIA  
MEDICAL SCHOOL  
NEW EDUCATION &  
ACADEMIC ADMINISTRATION  
BUILDING**

**PREFUNCTION 306  
AUDIOVISUAL SYSTEM**

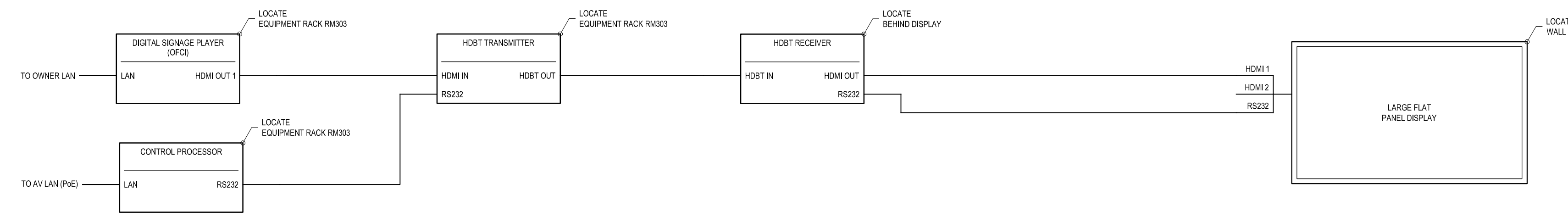
No.	Date	Revisions	Comments

Project	2960	Design	DF
Drawn	DF	Approved	ML
Scale	NTS	Date	07/08/19
Sheet	SY15		

**THE SEXTANT GROUP, INC.**  
700 WATERFRONT DRIVE  
SUITE 200  
PITTSBURGH, PA 15222  
412.323.8580

**THE SEXTANT GROUP**

AV • IT • SECURITY • ACOUSTICS • LIGHTING



FOR OWNER REVIEW - NOT FOR CONSTRUCTION

EASTERN VIRGINIA  
 MEDICAL SCHOOL  
 NEW EDUCATION &  
 ACADEMIC ADMINISTRATION  
 BUILDING

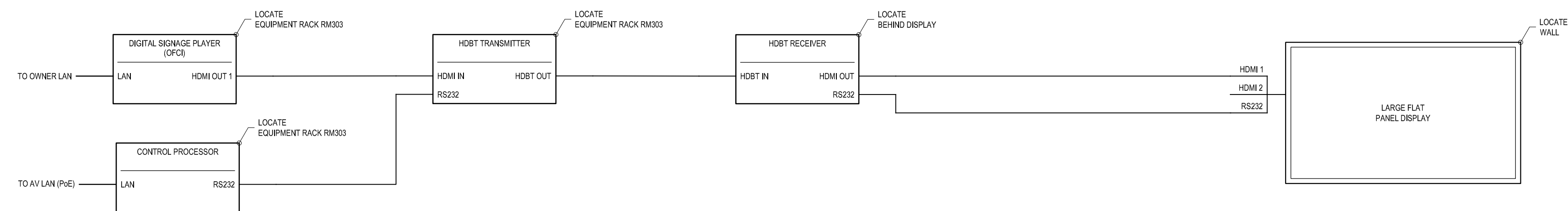
STUDENT 310  
 AUDIOVISUAL SYSTEM

THE SEXTANT GROUP, INC.  
 700 WATERFRONT DRIVE  
 SUITE 200  
 PITTSBURGH, PA 15222  
 412.323.8580

THE SEXTANT GROUP  
 AV • IT • SECURITY • ACOUSTICS • LIGHTING

No.	Date	Comments

Project	2960	Design	DF
Drawn	DF	Approved	ML
Scale	NTS	Date	07/08/19
Sheet	SY16		



FOR OWNER REVIEW - NOT FOR CONSTRUCTION

**THE SEXTANT GROUP, INC.**  
 700 WATERFRONT DRIVE  
 SUITE 200  
 PITTSBURGH, PA 15222  
 412.323.8580

**THE SEXTANT GROUP**

AV • IT • SECURITY • ACOUSTICS • LIGHTING

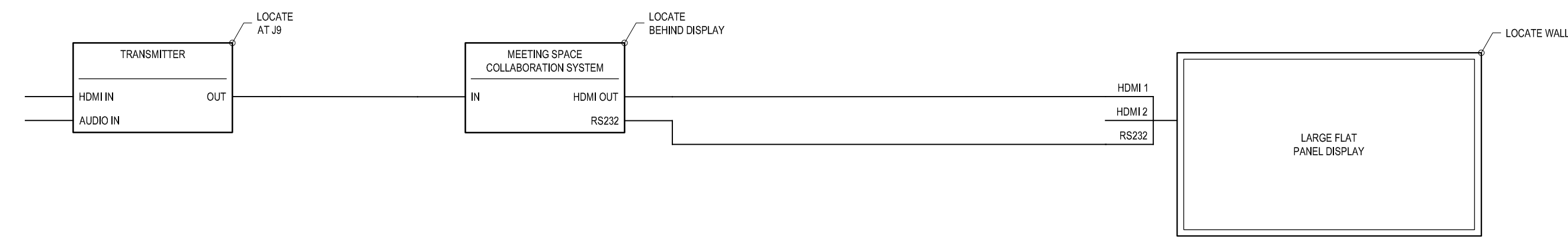
**CIRCULATION C301  
 AUDIOVISUAL SYSTEM**

**EASTERN VIRGINIA  
 MEDICAL SCHOOL  
 NEW EDUCATION &  
 ACADEMIC ADMINISTRATION  
 BUILDING**

No.	Date	Revisions	Comments

Project	2960	Design	DF
Drawn	DF	Approved	ML
Scale	NTS	Date	07/08/19
Sheet	SY17		





FOR OWNER REVIEW - NOT FOR CONSTRUCTION

EASTERN VIRGINIA  
 MEDICAL SCHOOL  
 NEW EDUCATION &  
 ACADEMIC ADMINISTRATION  
 BUILDING

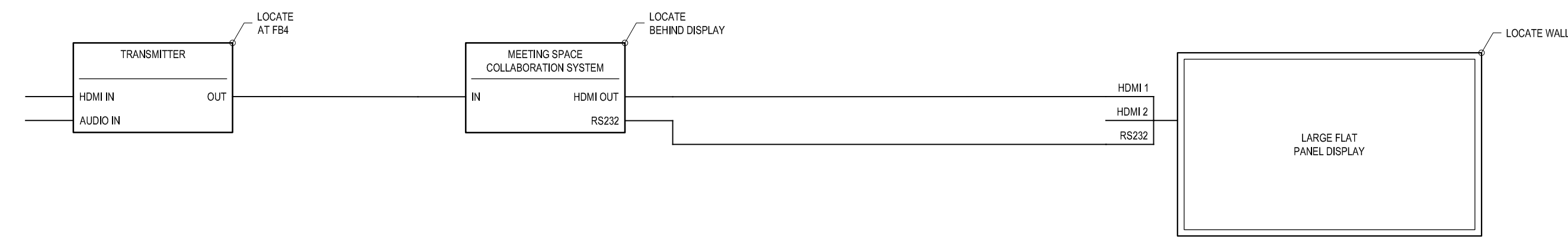
TYPICAL 4 SEAT STUDY ROOM  
 AUDIOVISUAL SYSTEM

THE SEXTANT GROUP, INC.  
 700 WATERFRONT DRIVE  
 SUITE 200  
 PITTSBURGH, PA 15222  
 412.323.8580

AV • IT • SECURITY • ACOUSTICS • LIGHTING

No.	Date	Revisions	Comments

Project	2960	Design	DF
Drawn	DF	Approved	ML
Scale	NTS	Date	07/08/19
Sheet	SY18		



FOR OWNER REVIEW - NOT FOR CONSTRUCTION

**EASTERN VIRGINIA  
MEDICAL SCHOOL  
NEW EDUCATION &  
ACADEMIC ADMINISTRATION  
BUILDING**

**TYPICAL 6 SEAT STUDY ROOM  
AUDIOVISUAL SYSTEM**

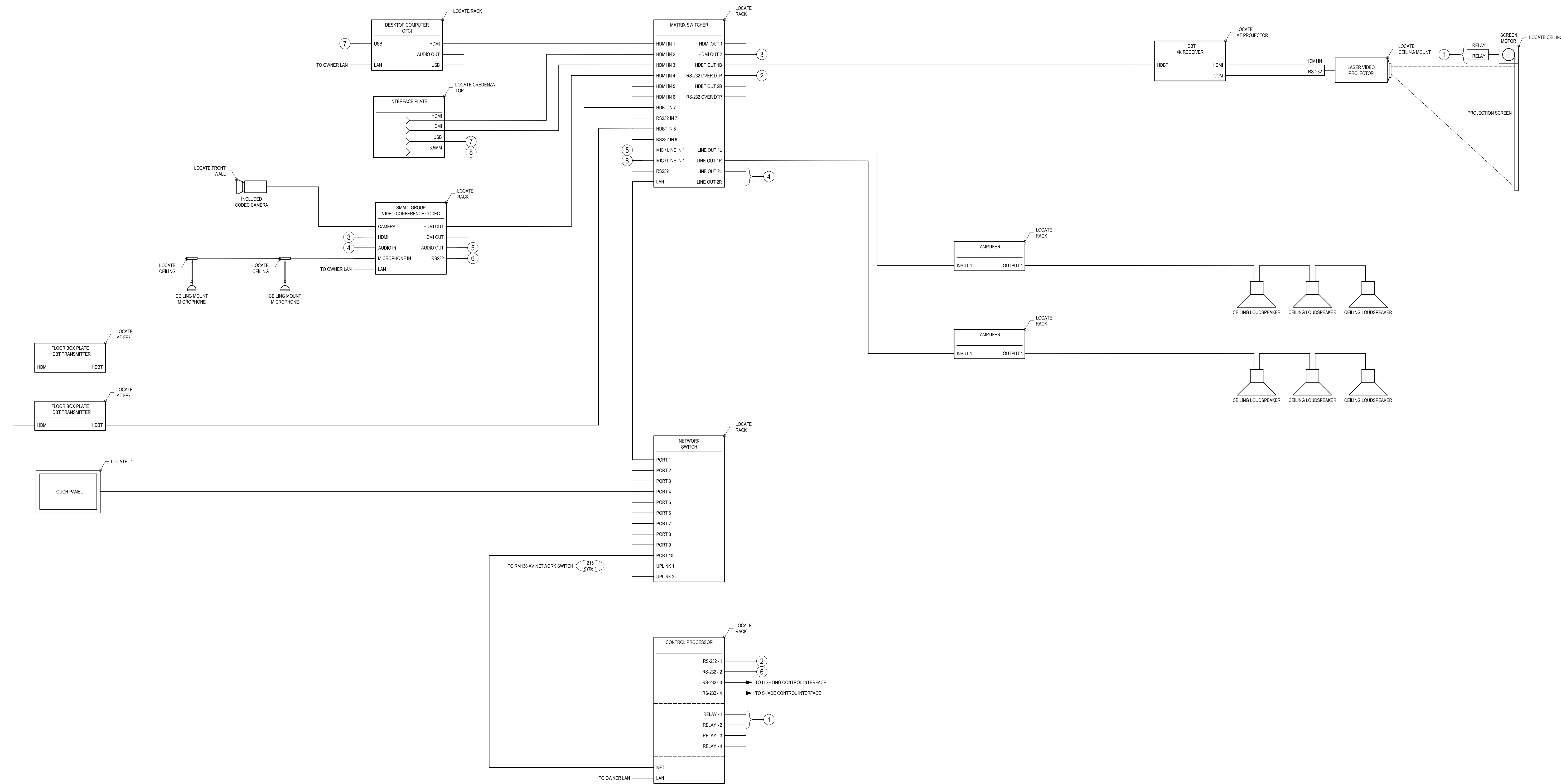
**THE SEXTANT GROUP, INC.**  
700 WATERFRONT DRIVE  
SUITE 200  
PITTSBURGH, PA 15222  
412.323.8580

**THE SEXTANT GROUP**

AV • IT • SECURITY • ACOUSTICS • LIGHTING

Revisions		Comments
No.	Date	

Project	2960	Design	DF
Drawn	DF	Approved	ML
Scale	NTS	Date	07/08/19
Sheet	SY19		



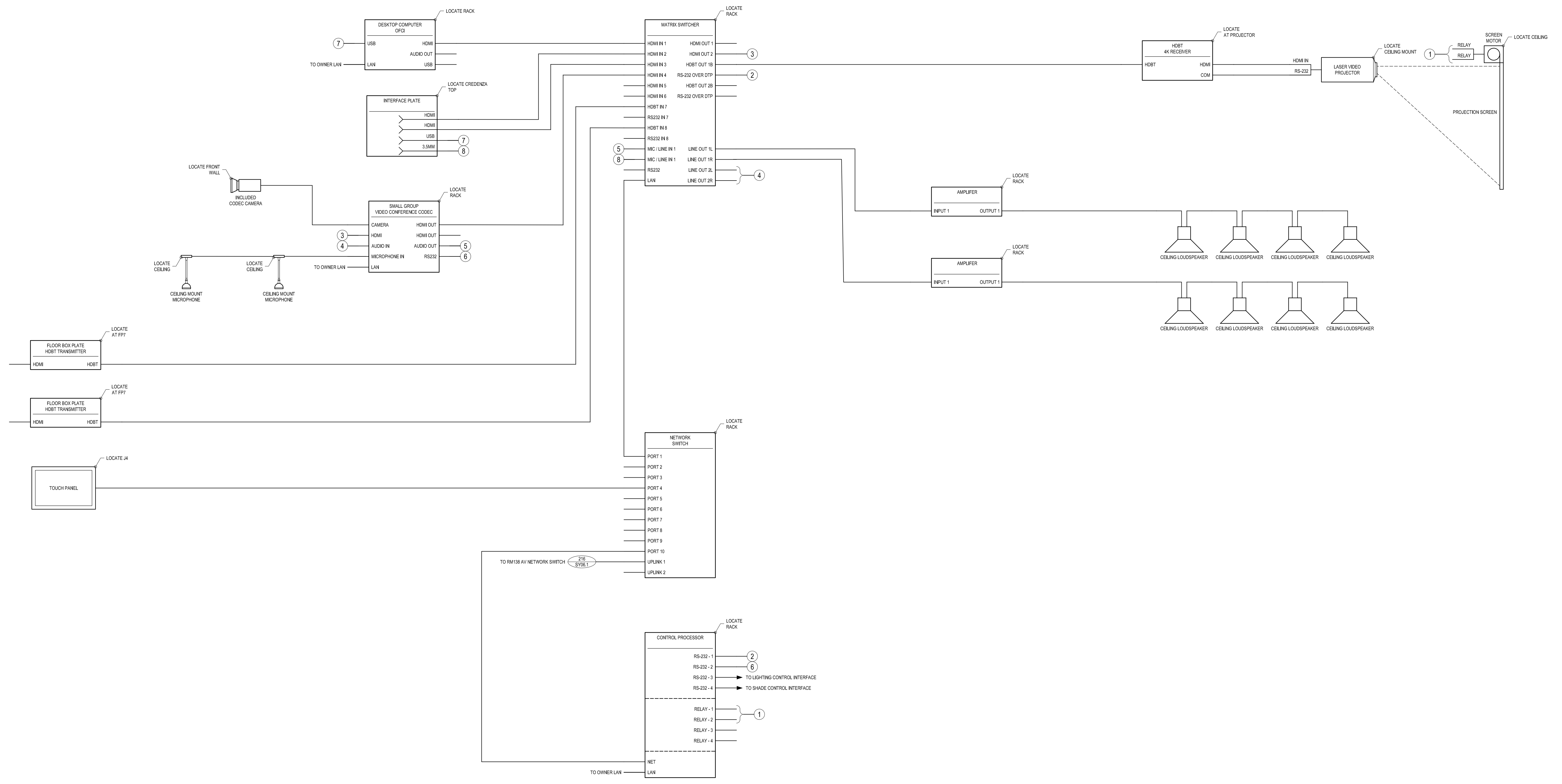
FOR OWNER REVIEW - NOT FOR CONSTRUCTION

**SMALL CONFERENCE ROOM  
 (TYPICAL OF 943, 944)  
 AUDIOVISUAL SYSTEM**

**EASTERN VIRGINIA  
 MEDICAL SCHOOL  
 NEW EDUCATION &  
 ACADEMIC ADMINISTRATION  
 BUILDING**

No.	Date	Revisions	Comments

Project	2960	Design	DF
Drawn	DF	Approved	ML
Scale	NTS	Date	07/08/19
Sheet	SY20		



FOR OWNER REVIEW - NOT FOR CONSTRUCTION

**EASTERN VIRGINIA  
 MEDICAL SCHOOL  
 NEW EDUCATION &  
 ACADEMIC ADMINISTRATION  
 BUILDING**  
**LARGE CONFERENCE ROOM 989  
 AUDIOVISUAL SYSTEM**

**EASTERN VIRGINIA  
 MEDICAL SCHOOL  
 NEW EDUCATION &  
 ACADEMIC ADMINISTRATION  
 BUILDING**

No.	Date	Revisions	Comments

Project	Design
2960	DF
Drawn	Approved
DF	ML
Scale	Date
NTS	07/08/19

Sheet **SY21**

SYSTEM  
DELETED

FOR OWNER REVIEW - NOT FOR CONSTRUCTION

Revisions	
No.	Comments

Project	2960	Design	DF
Drawn	DF	Approved	ML
Scale	NTS	Date	07/08/19

Sheet  
SY22

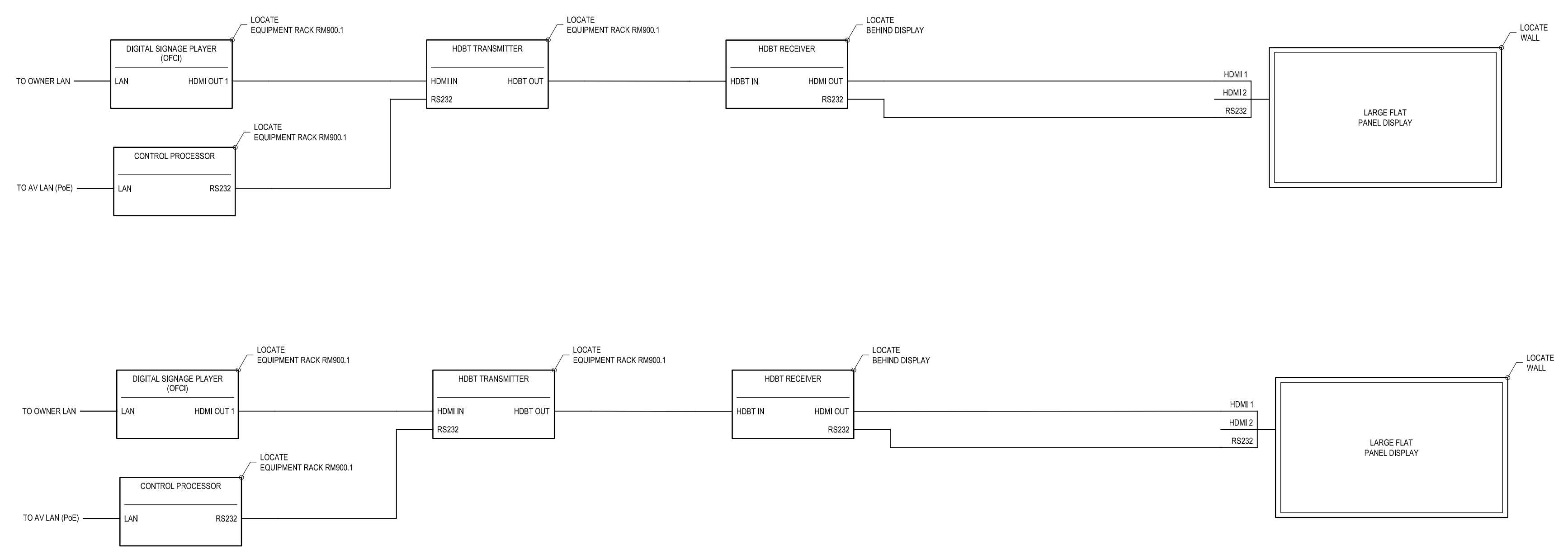
EASTERN VIRGINIA  
MEDICAL SCHOOL  
NEW EDUCATION &  
ACADEMIC ADMINISTRATION  
BUILDING

CONFERENCE ROOM  
(TYPICAL OF 947, 979)  
AUDIOVISUAL SYSTEM

**LOBBY V902  
 AUDIOVISUAL SYSTEM**

**EASTERN VIRGINIA  
 MEDICAL SCHOOL  
 NEW EDUCATION &  
 ACADEMIC ADMINISTRATION  
 BUILDING**

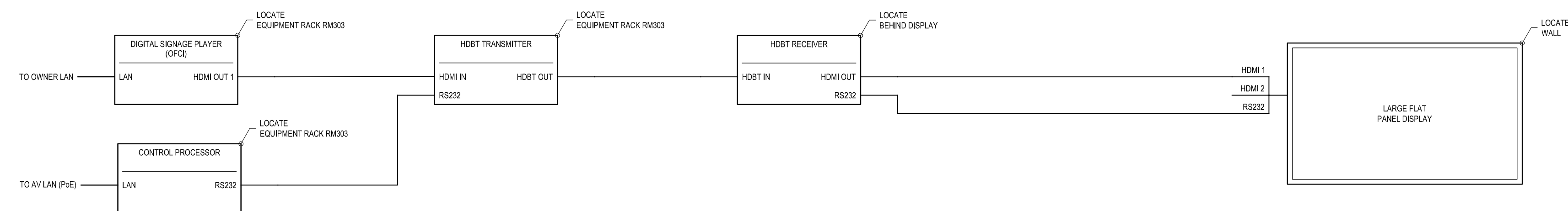
FOR OWNER REVIEW - NOT FOR CONSTRUCTION



No.	Date	Revisions	Comments

Project	2960	Design	DF
Drawn	DF	Approved	ML
Scale	NTS	Date	07/08/19

Sheet **SY23**



FOR OWNER REVIEW - NOT FOR CONSTRUCTION

**EASTERN VIRGINIA  
MEDICAL SCHOOL  
NEW EDUCATION &  
ACADEMIC ADMINISTRATION  
BUILDING**

**BREAK ROOM 925  
AUDIOVISUAL SYSTEM**

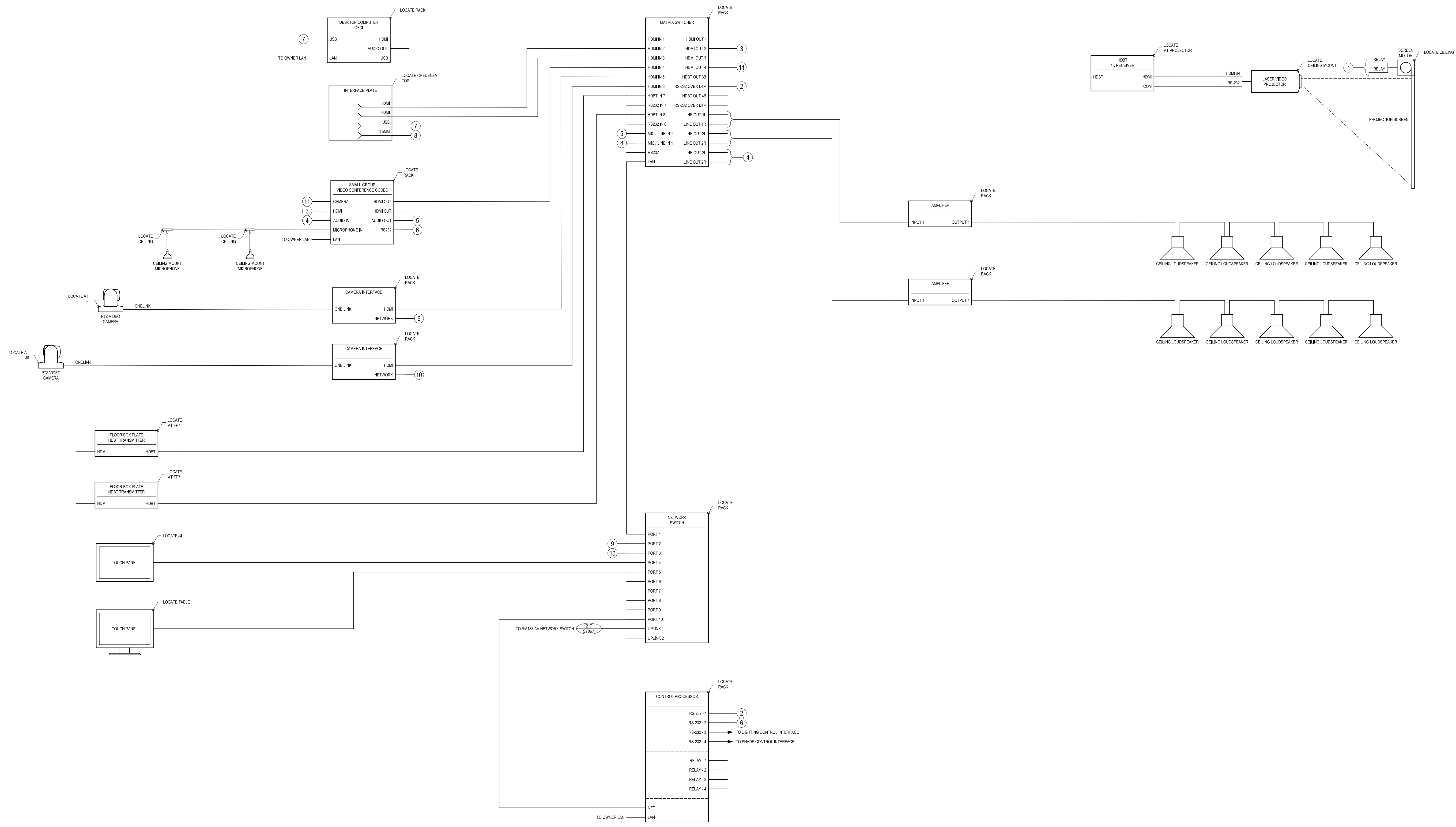
No.	Date	Revisions	Comments

Project	2960	Design	DF
Drawn	DF	Approved	ML
Scale	NTS	Date	07/08/19
Sheet	SY24		

**THE SEXTANT GROUP, INC.**  
 700 WATERFRONT DRIVE  
 SUITE 200  
 PITTSBURGH, PA 15222  
 412.323.8580

**THE SEXTANT GROUP**

AV • IT • SECURITY • ACOUSTICS • LIGHTING



FOR OWNER REVIEW - NOT FOR CONSTRUCTION

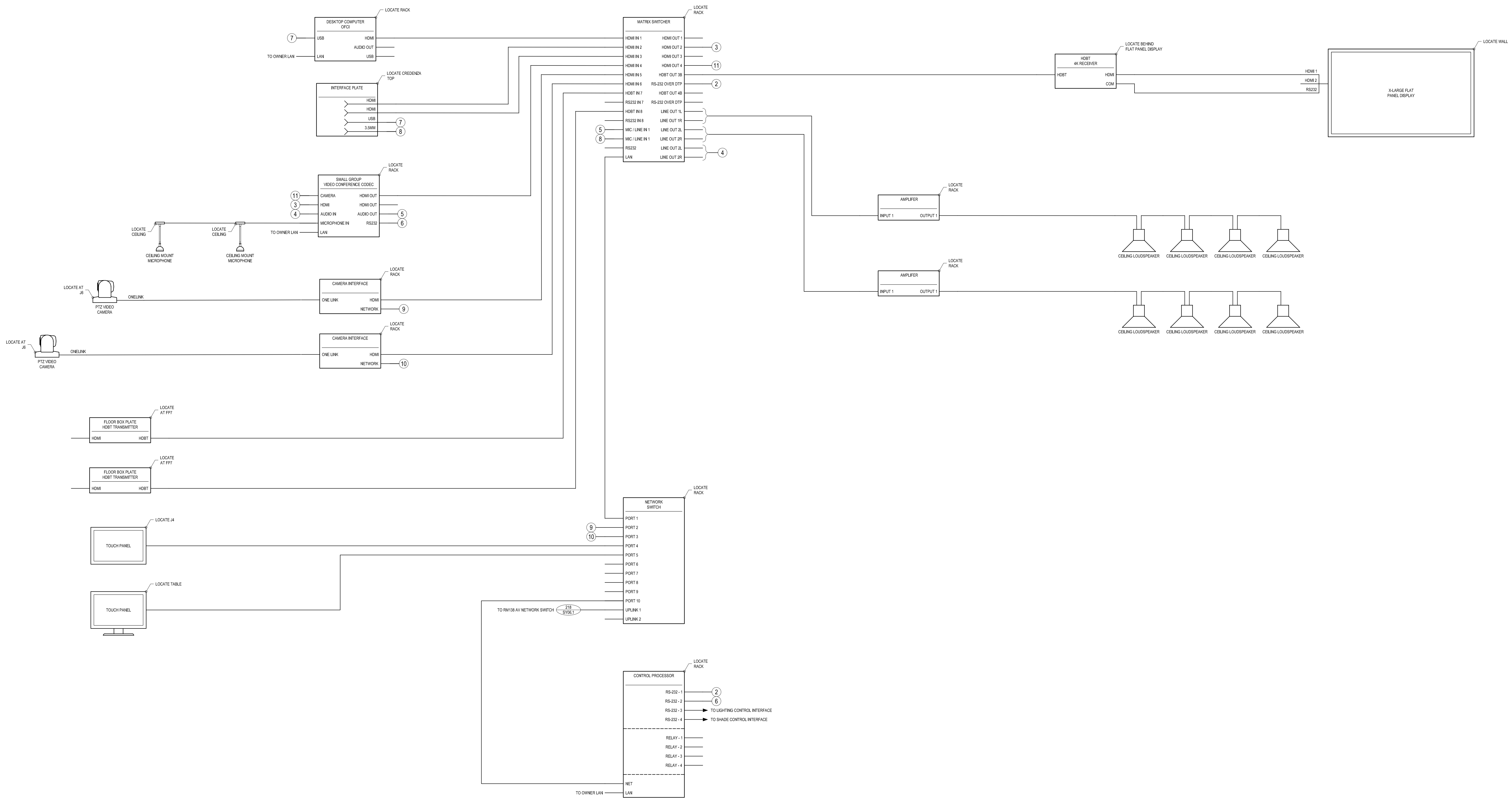
**LARGE CONFERENCE  
 ROOM 1031  
 AUDIOVISUAL SYSTEM**

**EASTERN VIRGINIA  
 MEDICAL SCHOOL  
 NEW EDUCATION &  
 ACADEMIC ADMINISTRATION  
 BUILDING**

Revisions	
No.	Comments

Project	2960	Design	DF
Drawn	DF	Approved	ML
Scale	NTS	Date	07/08/19
Sheet	SY25		





FOR OWNER REVIEW - NOT FOR CONSTRUCTION

**THE SEXTANT GROUP, INC.**  
 700 WATERFRONT DRIVE  
 SUITE 200  
 PITTSBURGH, PA 15222  
 412.323.8580

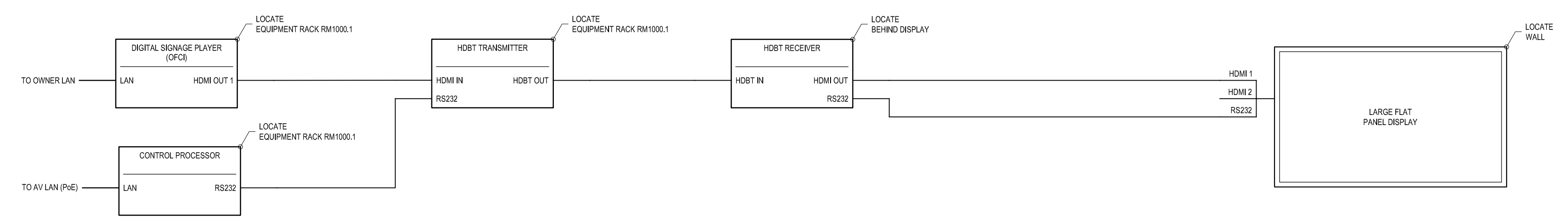
AV • IT • SECURITY • ACOUSTICS • LIGHTING

**CONFERENCE ROOM 1075  
 AUDIOVISUAL SYSTEM**

**EASTERN VIRGINIA  
 MEDICAL SCHOOL  
 NEW EDUCATION &  
 ACADEMIC ADMINISTRATION  
 BUILDING**

No.	Date	Revisions	Comments

Project	2960	Design	DF
Drawn	DF	Approved	ML
Scale	NTS	Date	07/08/19
Sheet	SY26		



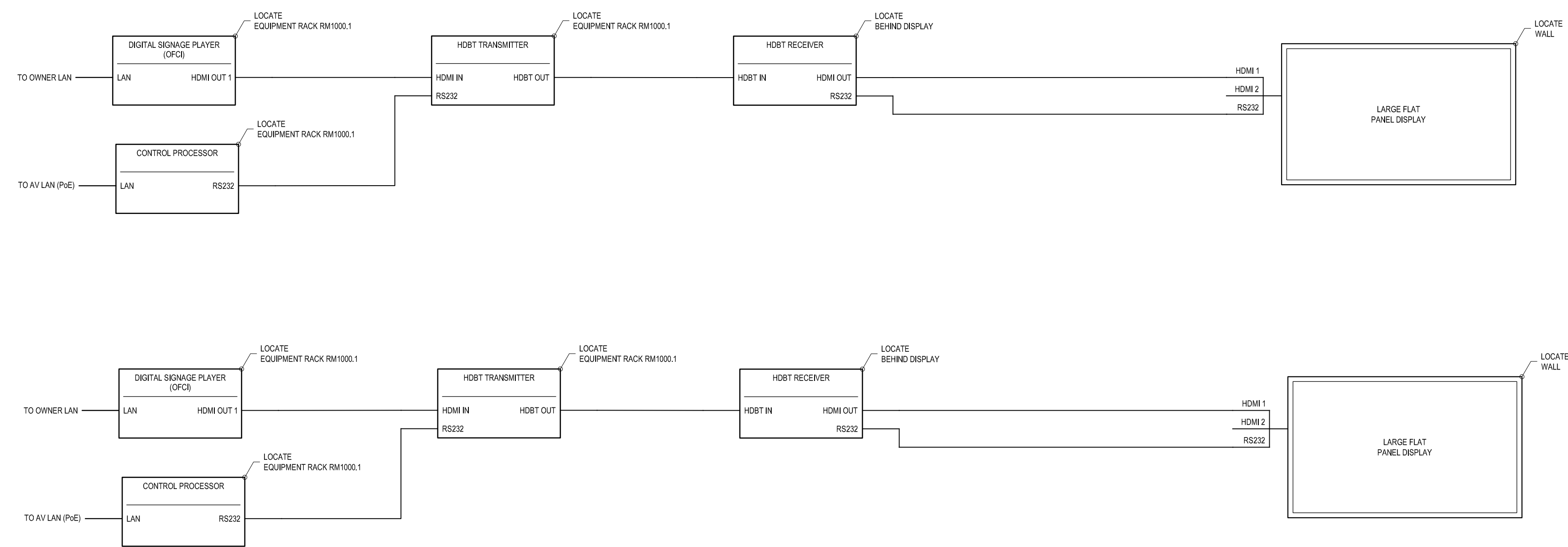
FOR OWNER REVIEW - NOT FOR CONSTRUCTION

EASTERN VIRGINIA  
 MEDICAL SCHOOL  
 NEW EDUCATION &  
 ACADEMIC ADMINISTRATION  
 BUILDING

BREAK ROOM 1029  
 AUDIOVISUAL SYSTEM

No.	Date	Revisions	Comments

Project	2960	Design	DF
Drawn	DF	Approved	ML
Scale	NTS	Date	07/08/19
Sheet	SY28		



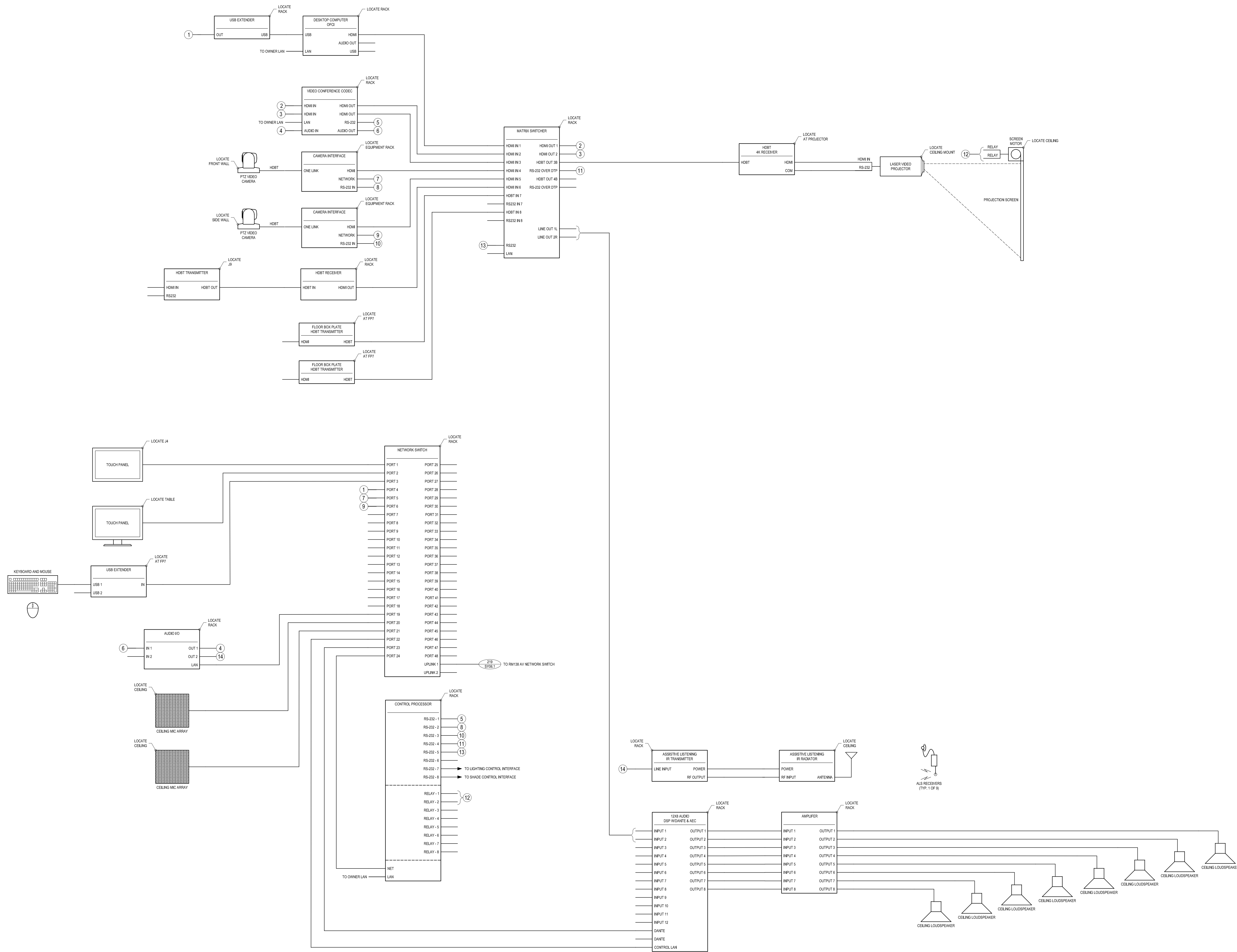
FOR OWNER REVIEW - NOT FOR CONSTRUCTION

EASTERN VIRGINIA  
 MEDICAL SCHOOL  
 NEW EDUCATION &  
 ACADEMIC ADMINISTRATION  
 BUILDING

LOBBY V1002  
 AUDIOVISUAL SYSTEM

No.	Date	Revisions	Comments

Project	2960	Design	DF
Drawn	DF	Approved	ML
Scale	NTS	Date	07/08/19
Sheet	SY29		



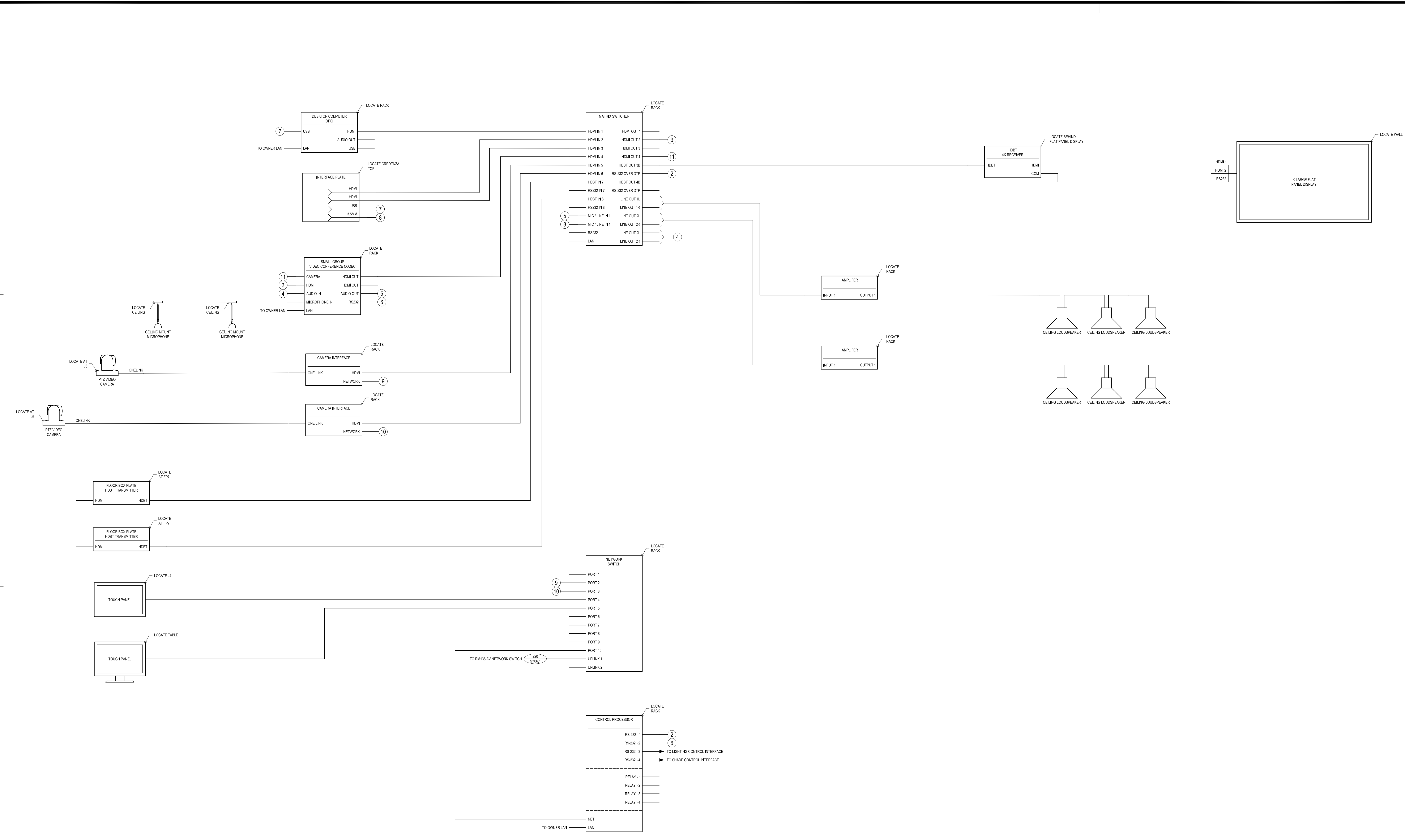
FOR OWNER REVIEW - NOT FOR CONSTRUCTION

**BOARD ROOM 1161  
 AUDIOVISUAL SYSTEM**

**EASTERN VIRGINIA  
 MEDICAL SCHOOL  
 NEW EDUCATION &  
 ACADEMIC ADMINISTRATION  
 BUILDING**

No.	Date	Revisions	Comments

Project	2960	Design	DF
Drawn	DF	Approved	ML
Scale	NTS	Date	07/08/19
Sheet	SY30		



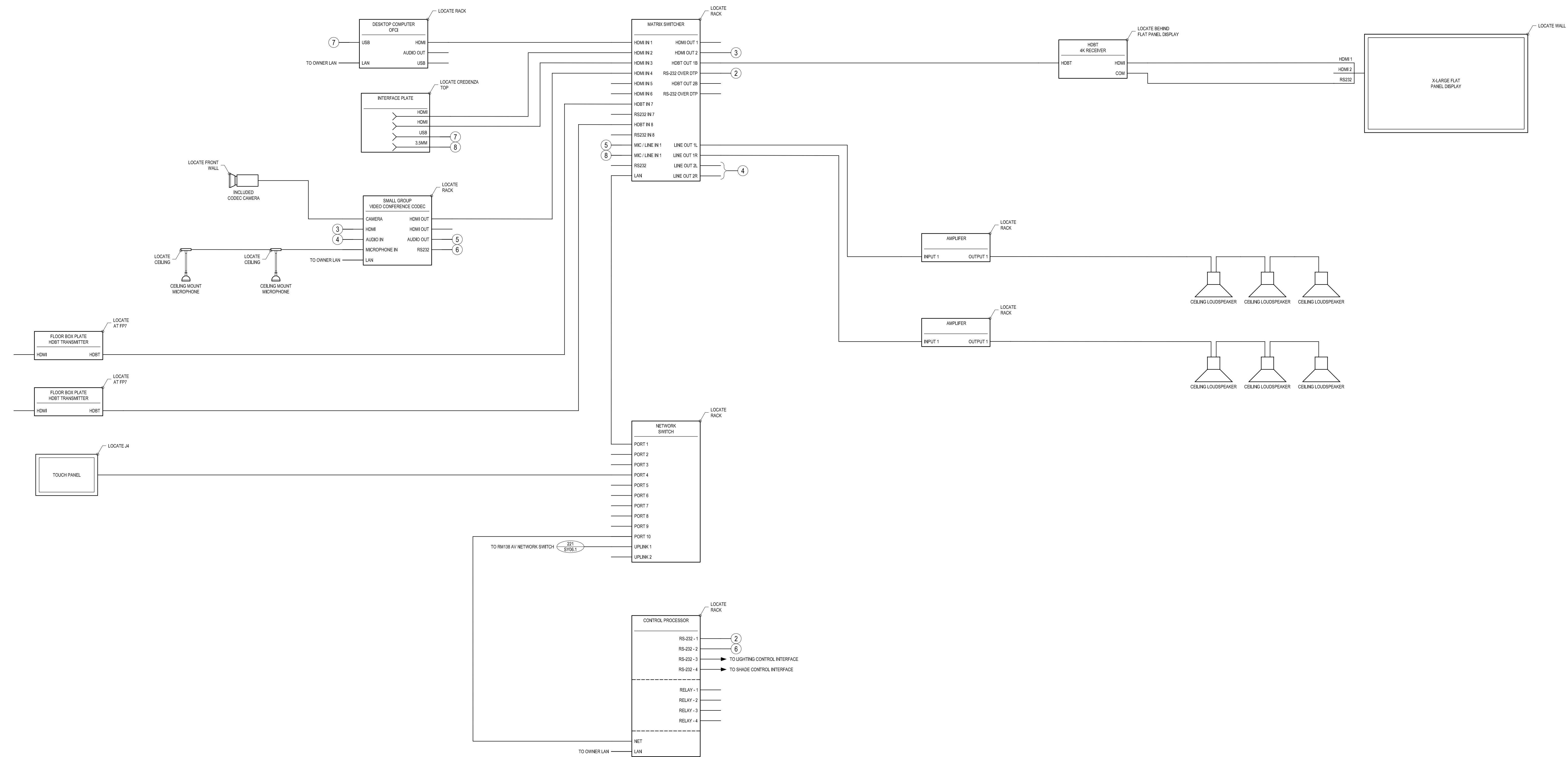
FOR OWNER REVIEW - NOT FOR CONSTRUCTION

**CONFERENCE ROOM 1166  
 AUDIOVISUAL SYSTEM**

**EASTERN VIRGINIA  
 MEDICAL SCHOOL  
 NEW EDUCATION &  
 ACADEMIC ADMINISTRATION  
 BUILDING**

No.	Date	Revisions	Comments

Project	2960	Design	DF
Drawn	DF	Approved	ML
Scale	NTS	Date	07/08/19
Sheet	SY31		



FOR OWNER REVIEW - NOT FOR CONSTRUCTION

**THE SEXTANT GROUP, INC.**  
 700 WATERFRONT DRIVE  
 SUITE 200  
 PITTSBURGH, PA 15222  
 412.323.8580  
 AV • IT • SECURITY • ACOUSTICS • LIGHTING

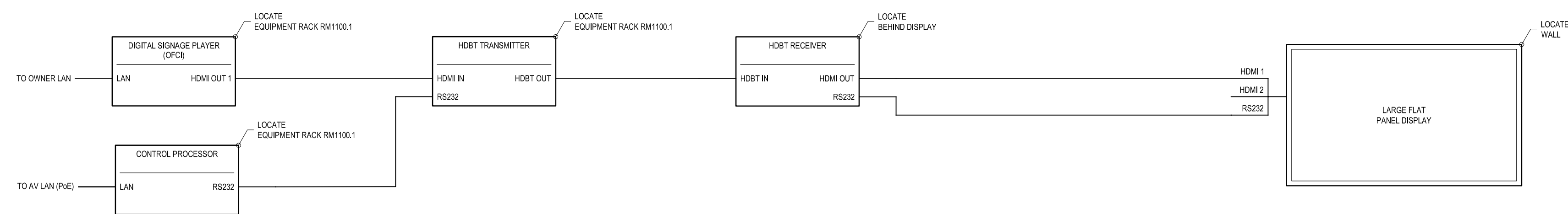
**SMALL CONFERENCE ROOM  
 (TYPICAL OF 1143, 1110)  
 AUDIOVISUAL SYSTEM**

**EASTERN VIRGINIA  
 MEDICAL SCHOOL  
 NEW EDUCATION &  
 ACADEMIC ADMINISTRATION  
 BUILDING**

No.	Date	Revisions	Comments

Project	Design
2960	DF
Drawn	Approved
DF	ML
Scale	Date
NTS	07/08/19
Sheet	

**SY32**



FOR OWNER REVIEW - NOT FOR CONSTRUCTION

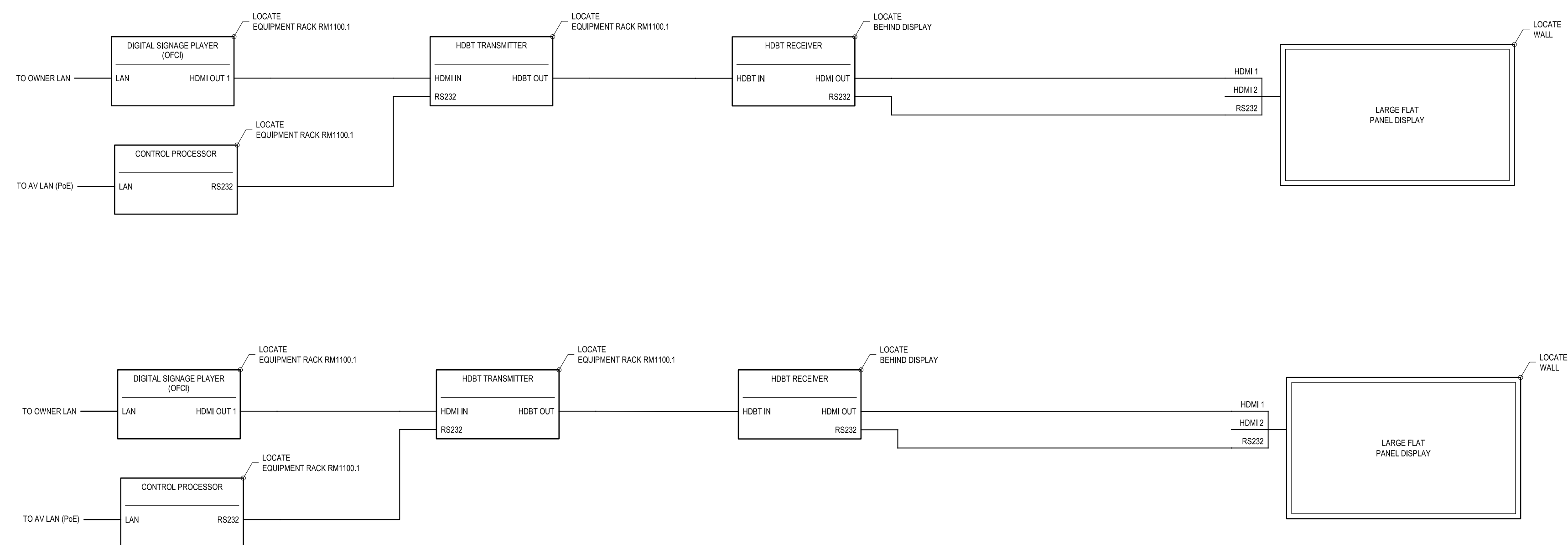
EASTERN VIRGINIA  
 MEDICAL SCHOOL  
 NEW EDUCATION &  
 ACADEMIC ADMINISTRATION  
 BUILDING

PREFUNCTION 1159  
 AUDIOVISUAL SYSTEM

No.	Date	Revisions	Comments

Project	2960	Design	DF
Drawn	DF	Approved	ML
Scale	NTS	Date	07/08/19

Sheet  
**SY33**



FOR OWNER REVIEW - NOT FOR CONSTRUCTION

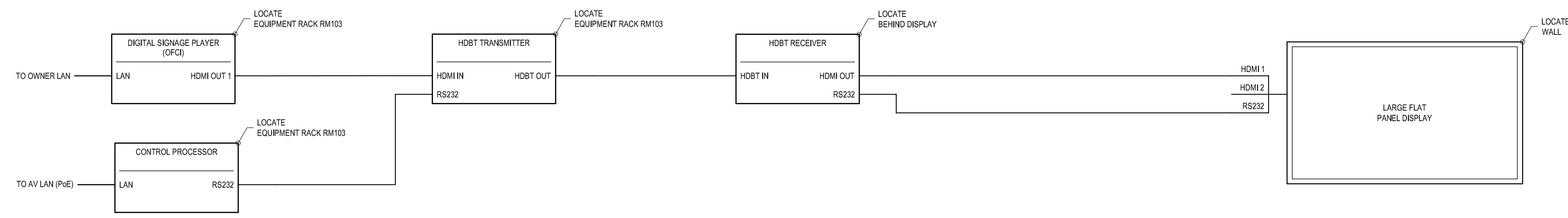
EASTERN VIRGINIA  
 MEDICAL SCHOOL  
 NEW EDUCATION &  
 ACADEMIC ADMINISTRATION  
 BUILDING

LOBBY V1102  
 AUDIOVISUAL SYSTEM

No.	Date	Revisions	Comments

Project	2960	Design	DF
Drawn	DF	Approved	ML
Scale	NTS	Date	07/08/19
Sheet	SY34		





FOR OWNER REVIEW - NOT FOR CONSTRUCTION

EASTERN VIRGINIA  
 MEDICAL SCHOOL  
 NEW EDUCATION &  
 ACADEMIC ADMINISTRATION  
 BUILDING

LOBBY V102  
 AUDIOVISUAL SYSTEM

**THE SEXTANT GROUP, INC.**  
 700 WATERFRONT DRIVE  
 SUITE 200  
 PITTSBURGH, PA 15222  
 412.323.8580

AV • IT • SECURITY • ACOUSTICS • LIGHTING

Revisions	
No.	Comments

Project	2960	Design	DF
Drawn	DF	Approved	ML
Scale	NTS	Date	07/08/19
Sheet	SY35		